

FURUNO

MODEL

CSH10

360-Degree Omni Scanning Sonar



Display: Color LCD display
(Display sold separately)

www.furunousa.com

360-degree Omni Sonar

The CSH10 360-degree Full-Circle Omni Sonar is designed for serious sportfishing, delivering the speed, precision, and performance you need to succeed on the water.

This 83.5kHz Omni Sonar with an adjustable beam width perfect for detecting schools of fish near the surface while improving long range detection.

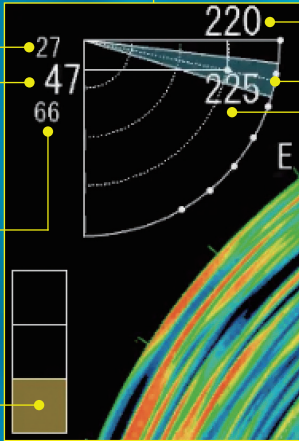
The CSH10 brings sportfishing to a whole new level with enhanced detection, ease of use, and rugged durability. Whether you're chasing trophy fish or just out for a weekend adventure, this Sonar gives you the tools to make every trip a success.

MODEL

CSH10

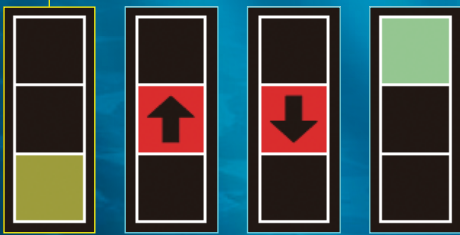
Easy-To-See Tilt Display

Depth of top edge of beam width
 Cursor depth
 Depth of bottom edge of beam width



Horizontal distance to cursor
 Detection range (beam display)
 Straight line distance to cursor (Slant range)

Event mark target
 Lock mark / Fish quantity mark
 Fish quantity mark diameter

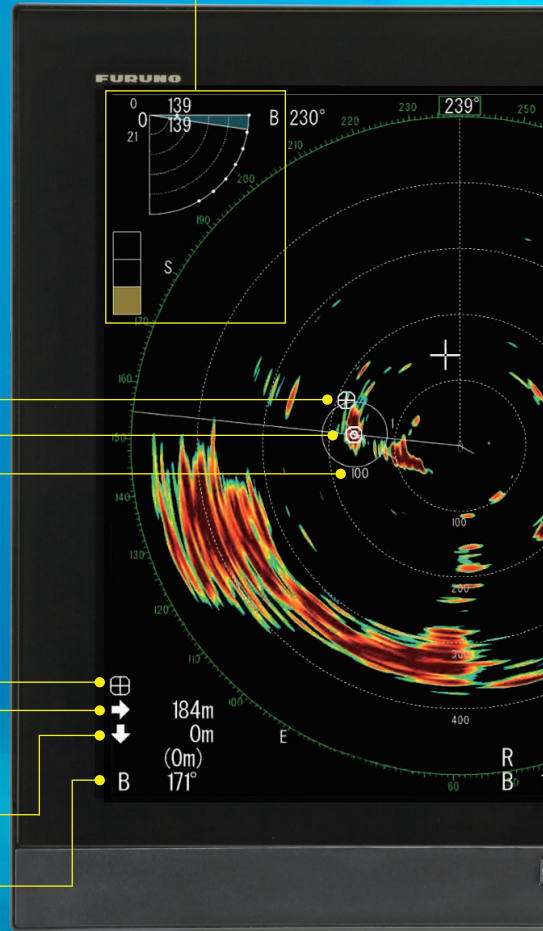


Deployed Ascending Descending Retracted

Position indicator lets you see the transducer position at a glance!

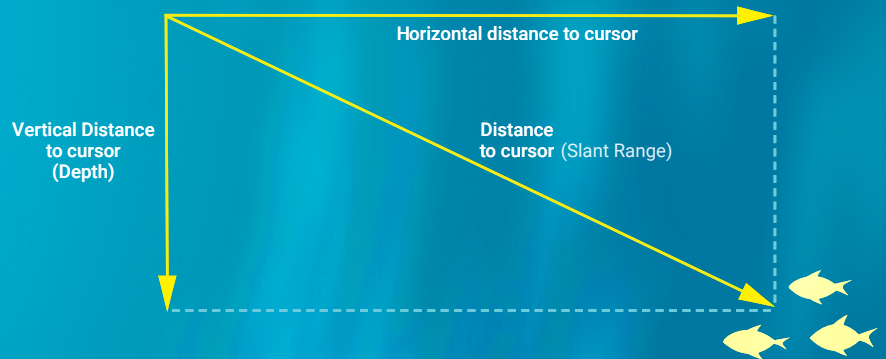
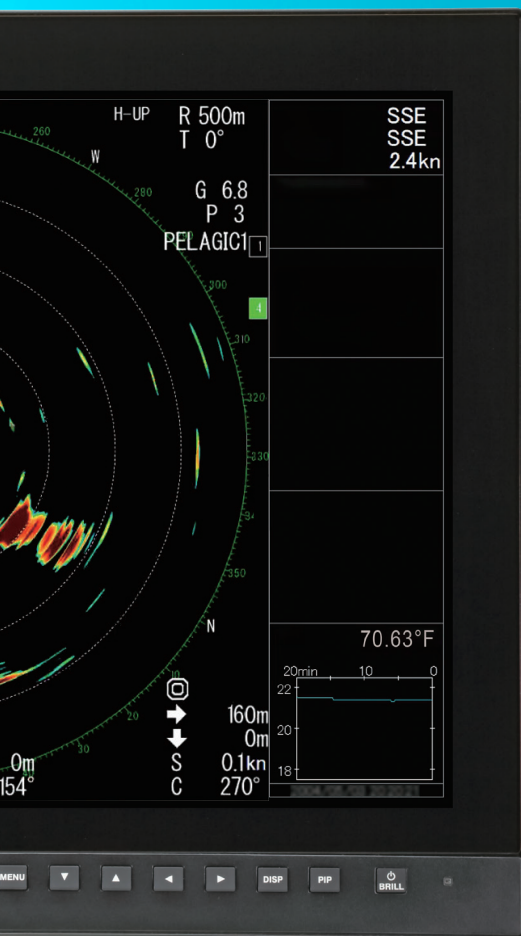
Event mark
 Horizontal distance from own ship mark
 Current depth (Depth of the mark when the event mark key is pressed)

Bearing to the mark



Key Features

- Scan 360° around your boat - Real-time, 360 degree target detection delivers immediate recognition of trophy fish, bait balls, and underwater structure, ensuring you're always on top of the action!
- Beam stabilization - Furuno's unique technology delivers clear and stable images in rough seas, giving you confidence that your Sonar will deliver accurate information no matter the conditions
- Target Lock function - Lock onto fast-moving schools of fish or fixed targets
- Improved image clarity & range - The CSH10 features upgraded display colors and clearer resolution, making it easier to distinguish between fish and underwater terrain
- Detection ranges up to an incredible 900 meters (over 2,900 feet) - You'll have a clear & immediate picture of what's happening below the surface in all directions for over half a mile!
- Compact and intuitive control unit - With a user-friendly RotoKey™ and trackball for smooth and responsive operation
- Optional wireless remote control - Adjust your Sonar settings from anywhere on the boat, so you can focus on the catch
- New! Data recording and playback - Save images and videos for future viewing



A tilt indicator has been added to easily see:

- Tilt angle
- Linear / horizontal / vertical distance to cursor
- Beam detection range
- Beam width top & bottom depth

Remotes

The new control unit is more compact than previous models, making it easy to install.

Popular function keys, tilt lever, sensitivity/range knob, and large trackball are retained, and a new RotoKey™ is now included.

With a remote control unit, you can easily set the range, tilt angle, and sensitivity from a distance. The multifunctional programmable wireless remote control can be used with up to four units via Bluetooth connection.



SCU002
Control Unit (required)



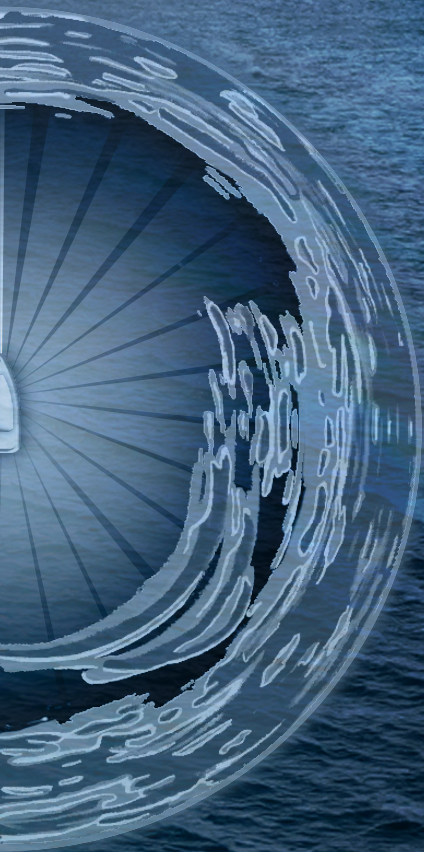
SCU003
Small Switch Box



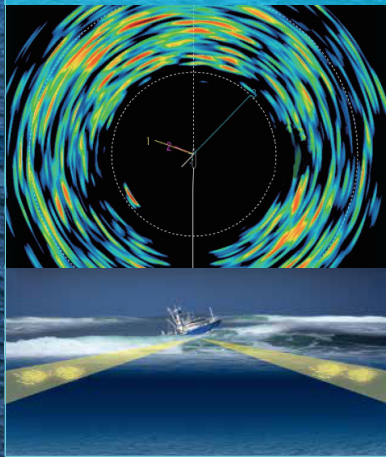
SCU001
Remote Control (wireless)



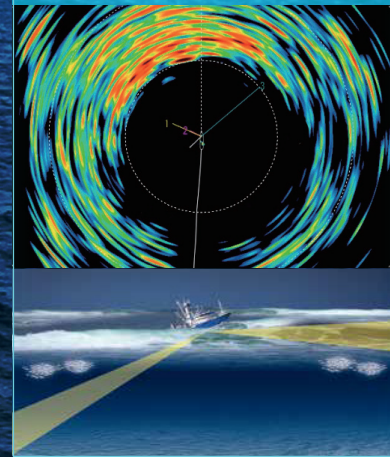
FSV854MK2
Remote Control (wired)



Stabilization ON

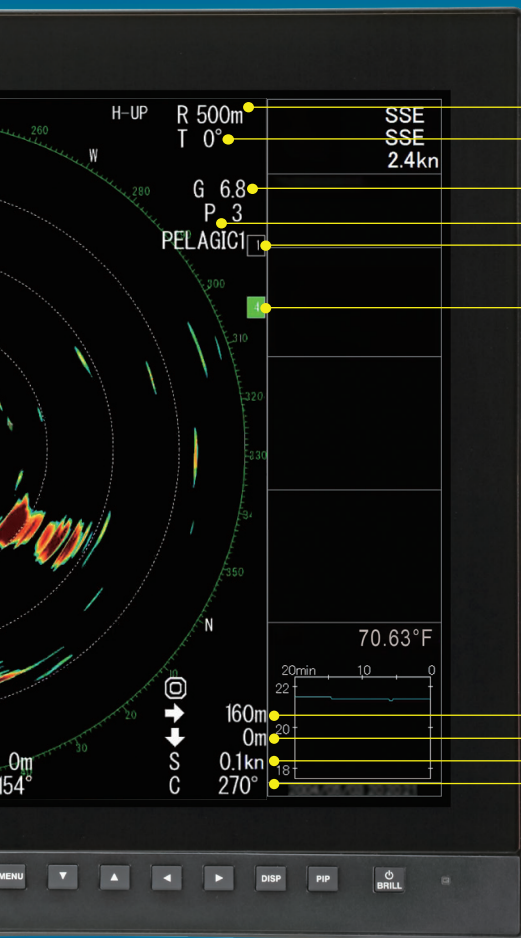


Stabilization OFF



New Beam Stabilization Function

In rough weather, the vessel's motion causes distortion in the display of target images. Furuno's unique beam stabilization technology automatically adjusts the beam to the specified angle, correcting for ship's motion in heavy seas; providing clearer images than ever. Plus it helps you identify schools of fish as well as underwater topography and structure.



Furuno monitor (sold separately)

Range

Tilt

Gain

Program No. and Name

Connected Remote Controllers
(green = active, black = powered off but connected)

New Target Lock Function

There are two modes for Target Lock*:

- Position Tracking
- School of Fish

When using Position Tracking mode, you can track a target reef or other area as a fixed position.

* Heading data and boat speed/course data required.

Target Lock / Fish School Movement

Horizontal distance

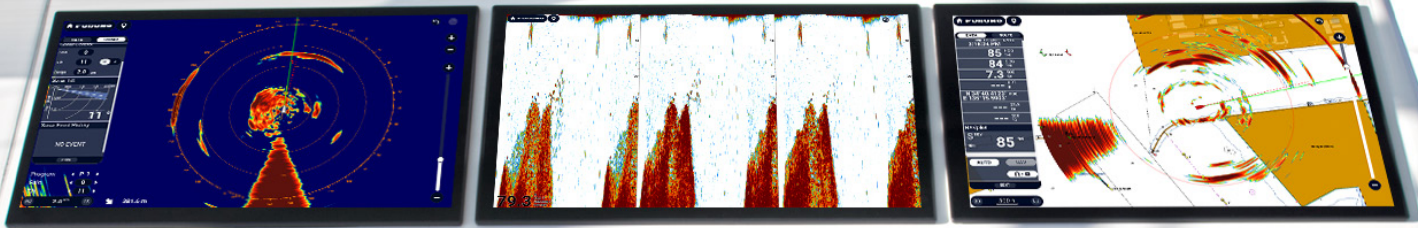
Depth

Speed

Bearing



The Ultimate Sportfishing Helm



Total Control Directly From Your TZtouchXL MFD

Connect the CSH10 directly to your TZtouchXL MFD* to display the Sonar screen in either a full, half, or quarter display.

Directly from your TZtouchXL MFD*, control:

Take things a step further with the world's first Sonar Chart Overlay, allowing you to track game fish as they work the contour lines that you see directly on the BathyVision TZ MAPS.

Connect the CSH10 through Ethernet network to the: **TZT10X, TZT13X, TZT16X, TZT22X, TZT24X, or TZTBBX**

* Requires software version 25.11 or higher

- Gain / Tilt / Range
- Sonar Event Marking and Historical Event Display
- Equipment Settings

NAVnet TZtouchXL

Sonar Data Box

Control Gain, Tilt, & Range

Dynamically Adjust Sonar Tilt

View Sonar Event History

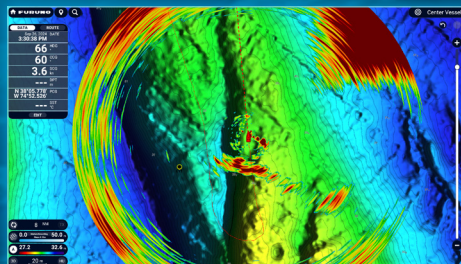
Sonar Range

Adjust Tilt & Gain

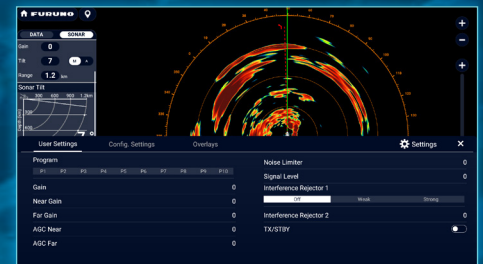
Control your CSH10 directly from TZtouchXL with Range Up/Down Buttons & Gain/Tilt Slider Bar. Edge-Swipe from the left to display the Sonar Data Box to view the Sonar tilt angle & Sonar Event History.



Easily change CSH10 User Settings, Configuration Settings, and Overlay on your TZtouchXL with a simple Edge-Swipe up.



Overlay Sonar targets on top of your chart to enhance your situational awareness and track game fish as they travel along depth contours.



Create up to 10 custom Programs for different fish species to easily adjust the Sonar for your target species.

GENERAL

Frequency 83.5 kHz Fully digital beamforming

DISPLAY

Display Mode Single scan, Fish Finder Combination* (single and Fish Finder)
*Fish Finder or Echo Sounder required

Video Signal Output HDMI SXGA
Resolution: 1280 x 1024

Colors Scan/Echo: 32 colors, Mark: 6 color

Mark Own ship, Bow Line, Direction/Distance, Event, Fish School, Electronic Direction Scale, Wake, Tide Scan (direction, distance), Cursor Position (distance, depth, direction), Ship Speed Event, Target Lock

Additional Features Water Temp Interference Removal, Residual Image Processing, Noise Limiter, Color Erasure, Auto Tracking, Auto Retraction, Fish School Alarm

Range Scale 50, 100, 200, 300, 400, 500, 600, 700, 800, 900, 1000, 1100, 1200, 1400, 1600, 2000 m

Pulselength 0.5 to 20ms (depending on range scale)

INTERFACE

NMEA0183 5 Ports (Version 1.5/2.0/3.0/4.0/4.1)

Video Output 2 Ports HDMI

External KP 2 Ports (one each for input and output)

Audio Output 1 Port, 10W

USB 4 Ports total (2 ea USB 2.0; 2 ea USB 3.0)

LAN 2 Ports, 10/100/1,000 Base-T

Input CUR, DBS, DBT, DPT, GGA, GNS, HDG, HDM, HDT, MDA, MTW, RMC, VBW*, VDR, VHW, VTG, ZDA Forward/Backward/Left/Right boat speed required

Output TLL

HULL UNIT

Transducer travel 400mm or 600mm

Raising/Lowering time 400mm: 7s, 600mm: 10s

Allowable Ship's speed 20kn MAX. (raise/lower operation up to 18 kn)

Driving system Remote electric control

POWER SUPPLY

Transmitting/Receiving Device 24 DC, 7.2 A or less

Processor DC 12-24 V, 4.0-2.0 A

Upper & Lower Device DC 24V, 10 A or less

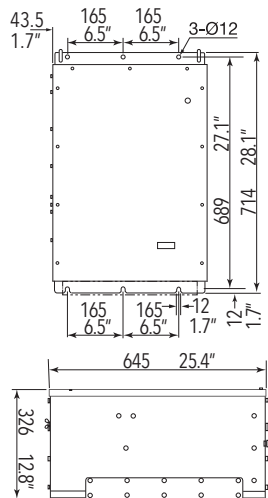
EQUIPMENT LIST

- STANDARD**
1. Processor CSH1003
 2. Control Unit SCU002
 3. Transceiver Unit CSH101
 4. Hull Unit 400mm or 600mm travel
 5. Installation Materials, Accessories and Spare Parts
- NOTE: Local supply may vary; check with your supplier

- OPTIONAL**
1. Control Unit SCU002
 2. Wired Controller Unit FSV854MK2 (Cable length 5/10m)
 3. Wireless Remote Control SCU001
 4. Small Switch Box SCU003
 5. External Speaker SEM21Q
 6. KB Mounting Bracket
 7. SSD Assembly
 8. AC/DC Power Supply PR241
 9. Interface Unit IF2550

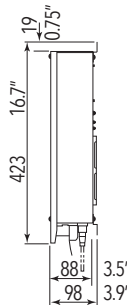
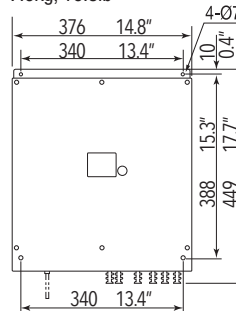
TRANSCIVER UNIT

CSH101
37kg, 81.6lb



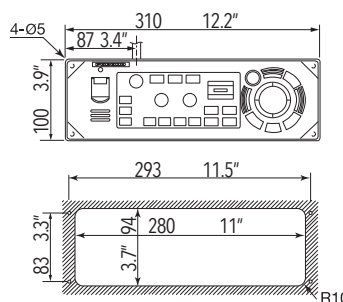
PROCESSOR UNIT

CSH1003
7.6kg, 16.8lb



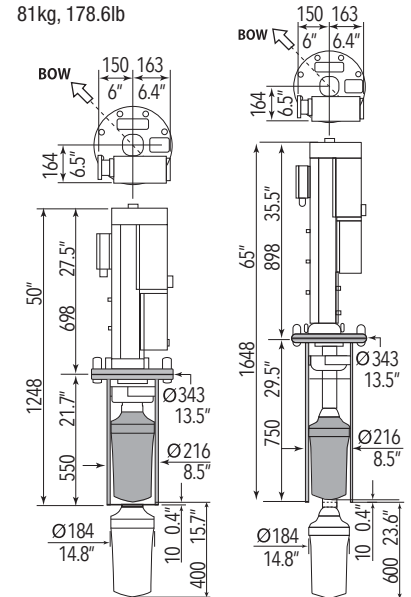
CONTROL UNIT

SCU002
5m cable 1.2kg, 2.6lb
10m cable 1.7kg, 3.7lb

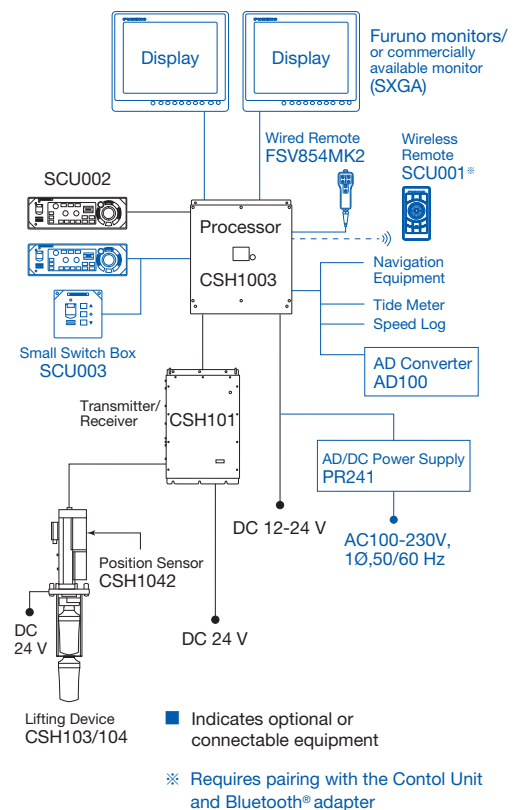


HULL UNIT

CSH104 (600mm travel)
87kg, 191.8lb
CSH103 (400mm travel)
81kg, 178.6lb



INTERCONNECTION DIAGRAM



SPECIFICATIONS SUBJECT TO CHANGE WITHOUT NOTICE

Catalog No. LIT-CSH-10S

FURUNO ELECTRIC CO., LTD.
Japan www.furuno.com
FURUNO U.S.A., INC.
U.S.A. www.furunousa.com
FURUNO PANAMA S.A.
Republic of Panama www.furuno.com.pa
FURUNO (UK) LIMITED
U.K. www.furuno.co.uk
FURUNO NORGE A/S
Norway www.furuno.no

FURUNO DANMARK A/S
Denmark www.furuno.dk
FURUNO SVERIGE AB
Sweden www.furuno.se
FURUNO FINLAND OY
Finland www.furuno.fi
FURUNO POLSKA Sp. Z o.o.
Poland www.furuno.pl
FURUNO DEUTSCHLAND GmbH
Germany www.furuno.de

FURUNO FRANCE S.A.S.
France www.furuno.fr
FURUNO ESPAÑA S.A.
Spain www.furuno.es
FURUNO ITALIA S.R.L.
Italy www.furuno.it
FURUNO HELLAS S.A.
Greece www.furuno.gr
FURUNO (CYPRUS) LTD
Cyprus www.furuno.com.cy

FURUNO SHANGHAI CO., LTD.
China www.furuno.com/cn
FURUNO CHINA CO., LTD.
Hong Kong www.furuno.com/cn
FURUNO KOREA CO., LTD
Korea
FURUNO SINGAPORE
Singapore www.furuno.sg
PT FURUNO ELECTRIC INDONESIA
Indonesia www.furuno.id

FURUNO ELECTRIC (MALAYSIA) SDN. BHD.
Malaysia www.furuno.com/my
BEWARE OF SIMILAR PRODUCTS
All brand and product names are trademarks, registered trademarks, or service marks for their respective holders.
SPECIFICATIONS SUBJECT TO CHANGE WITHOUT NOTICE
Printed in U.S.A.