

NOTICE

Be sure to insert the correct fuse referring to the following information.

Insert the appropriate fuse in the fuse holder, attach the supplied fuse rating label to the fuse holder and then proceed with wiring.

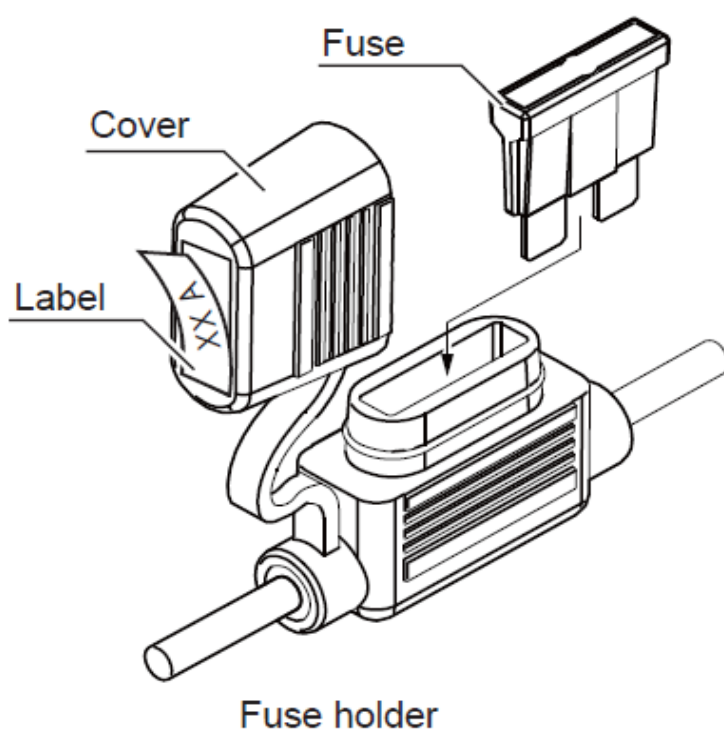
For DRS4DL, DRS4D-NXT and DRS6A X-Class: 5 A

For DRS12A X-Class and DRS25A X-Class: 10 A

For DRS6A-NXT: 10 A or 15 A (Refer to the below table.)

Cable Length	(A)	10 m	15 m
Supply Voltage	12 VDC (B)	15 A	Not Available
	24 VDC (C)	10 A	10 A
(A)	20 m	30 m	
(B)	Not Available	Not Available	
(C)	10 A	10 A	

1. Insert the appropriate fuse in the fuse holder and close its cover.



2. Attach the appropriate supplied label on the fuse holder cover.