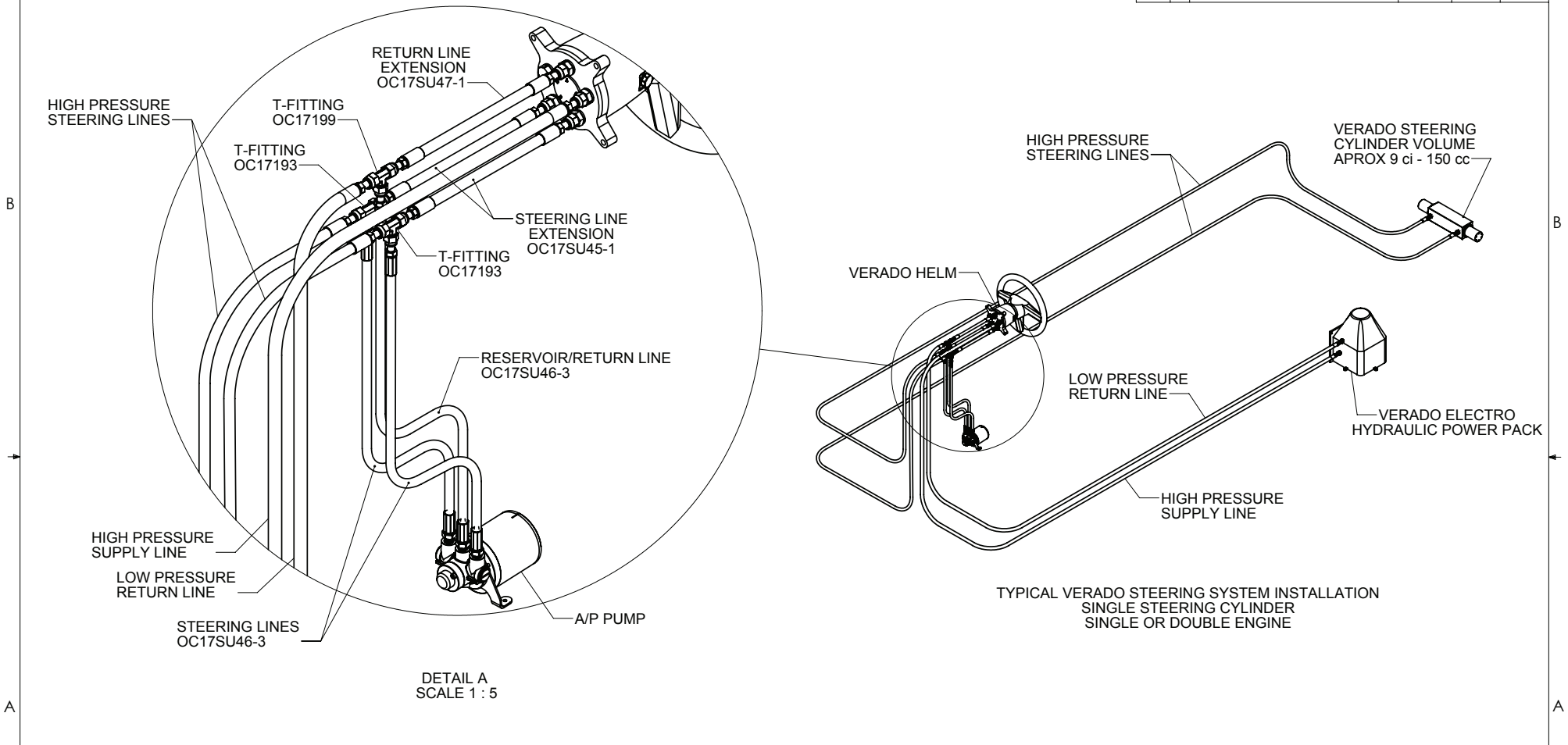


THE INFORMATION CONTAINED IN THIS DRAWING IS THE SOLE PROPERTY OF OCTOPUS PRECISION PRODUCTS INC. ANY REPRODUCTION IN PART OR WHOLE WITHOUT THE WRITTEN PERMISSION OF OCTOPUS PRECISION PRODUCTS INC. IS PROHIBITED.

REVISION HISTORY					
ZONE	REV	DESCRIPTION	DD/MM/YYYY	APPROVED (NAME)	APPROVED (SIGNATURE)
-	NEW	RELEASED FOR PUBLICATION	01MAY2014	D.S.	

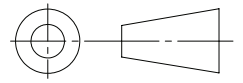


DETAIL A
SCALE 1 : 5

TYPICAL VERADO STEERING SYSTEM INSTALLATION
SINGLE STEERING CYLINDER
SINGLE OR DOUBLE ENGINE

UNLESS OTHERWISE SPECIFIED DIM ARE IN IMPERIAL
 3 PL ± .005"
 2 PL ± .010"
 1 PL ± .020"
 NO DECIMAL PLACE OR FRACTIONAL DIM ± .030"
 ANGLE ± .5° SURFACE ROUGHNESS 125 micro in MAX.
 INTERPRET DRAWING PER: ASME Y14.5M-1994
 ASME Y14.3M-1994
 ASME Y14.1-1995

THIRD ANGLE PROJECTION



POSITION	NAME	SIGNATURE	DATE DD/MM/YYYY
DRAWN	G.L.		01/MAY/2014
CHECKED	D.S.		01/MAY/2014
DESIGN	G.L.		01/MAY/2014
APPROVED	D.S.		02/MAY/2014

		OCTOPUS PRECISION PRODUCTS INC. 7733 PROGRESS WAY, DELTA, B.C. V4G 1A3 CANADA	
TITLE VERADO HOSE KIT INSTALLATION ACCESSORIES			
SIZE	PART IDENTIFICATION NO.	DWG. NO.	REV.
B	OC17SUK34INST	OC17SUK34INST	NEW
SCALE	MATERIAL	WEIGHT	SHEET
N/A	N/A	N/A	1 OF 1