

## REQUIRED addendum when connecting the SC33 to the IF-NMEASC

When connecting an SC-33 to the IF-NMEASC interface, the wiring is slightly different than when using the older SC-30. The power wires (J7 Pin 1 and Pin 2) must be rerouted to TB#1 and TB#2 respectively, which is the incoming power of the IF-NMEASC as shown in figure 1. The positive voltage wire should be fused before and after TB1 as also shown in figure 1. Both fuses should be 2A for 12vdc use or 1A for 24vc use.

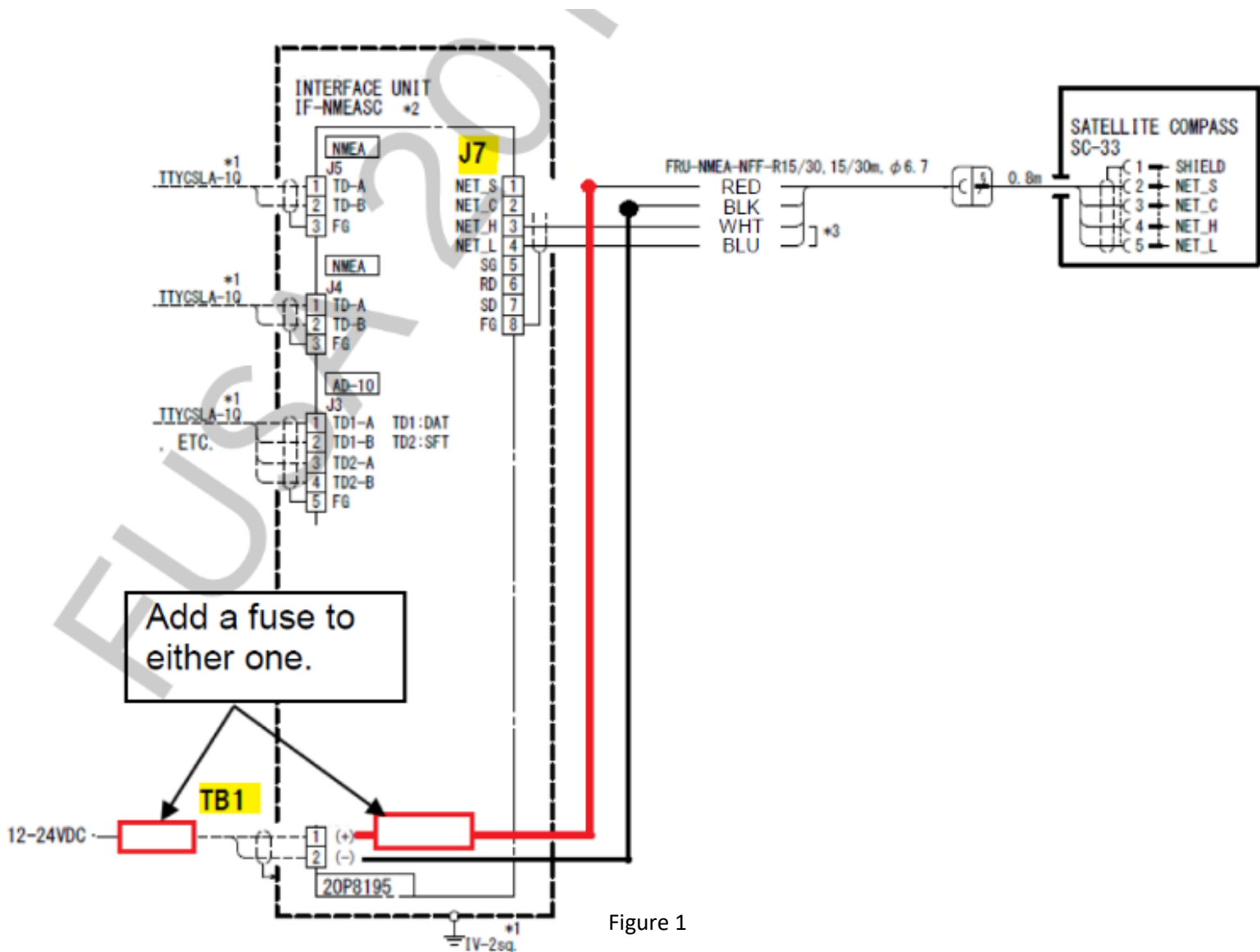


Figure 1

Please contact Furuno Support if you have any questions regarding this connection.