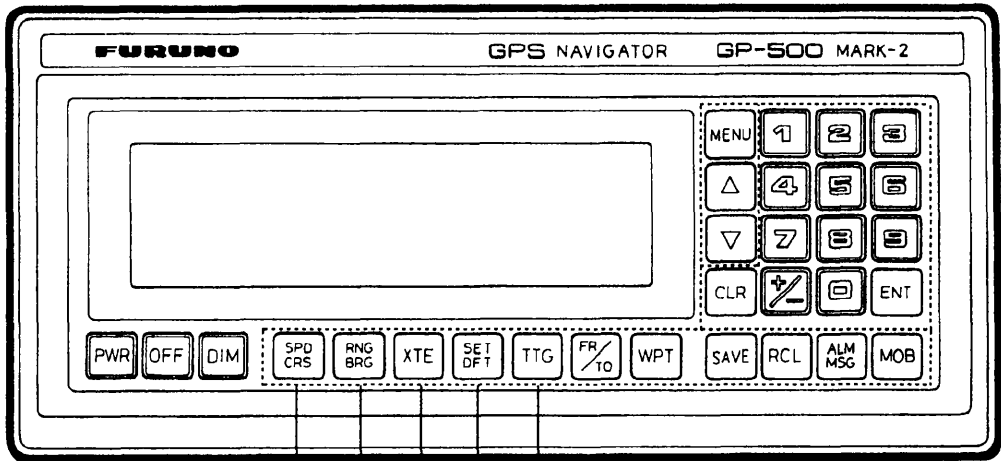


GP-500 MARK-2 OPERATOR'S GUIDE

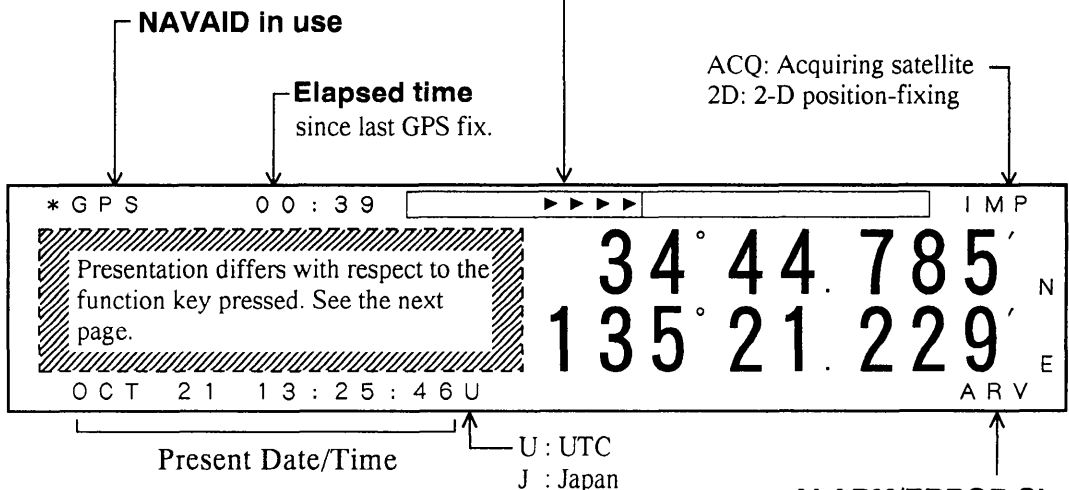
- To turn on the unit, press **PWR** .
- To turn off the unit, press **PWR** and **OFF** simultaneously.



Press one of these keys.

Position Data Presentation

CROSS-TRACK ERROR → Page [4]



If the PRESENT POSITION reading at power on is extremely different (more than 10 degrees) from the actual position, perform the INITIAL LAT/LONG ENTRY described on page 2-5 in the operator's manual.

Nav. Data Presentations

*Selection of TO WAYPOINT required. → Pages [3] & [4]

**SPD
CRS** →

VTD :	1 2 . 3	KT	←..... * Velocity To Destination
SPD :	1 2 . 5	KT	←..... Speed
CRS :	1 6 8 . 2	°	←..... Course
OCT 11 13 : 25 : 46 U			

**RNG
BRG** →

WPT :	0 1 5		←..... * TO WAYPOINT
RNG :	1 2 . 5 7	NM	←..... * Range } of TO WPT observed from PRESENT POSITION
BRG :	1 6 8 . 2	°	

XTE →

WPT :	0 1 5		←..... * TO WAYPOINT
XTE :	1 2 . 5 8	NM	←..... * Cross-track Error
ΔC :	6 8 . 2	°	←..... * Course Error

**SET
DFT** →

LOG :	14 . 8	KT	←..... Water-tracking Speed
GYRC :	72 . 5	°	←..... Heading
DFT :	2 . 5	KT	←..... Speed } of Water Current
SET :	6 8 . 2	°	

TTG →

WPT :	0 1 5		←..... * TO WAYPOINT
TTG :	00D 1 9 H 0 1	M	←..... * Time To Go
ETA :	12 0 8 : 2 6		←..... * Estimated Time of Arrival

Saving an EVENT POSITION

Press **SAVE**.

Press any key shown on the preceding page to return to the nav. data presentation.

Recalling EVENT POSITION

Press **RCL**. → “MOB” position is recalled on the display.

Every hit of **RCL** calls up the next-latest event position.

Event No. ↓

RECALL FROM =	2 0 7	3 4 °	3 2 .	1 2 3	N
WPT =	---	1 3 4 °	2 0 .	4 3 7	W
→ CMNT =		JAN 23 '93	13:25'16"U		GPS
		COMMENT: ()		

Registering WAYPOINT

Register ports, fishing grounds, etc. as waypoints.

Registering the present position

Press **SAVE**.



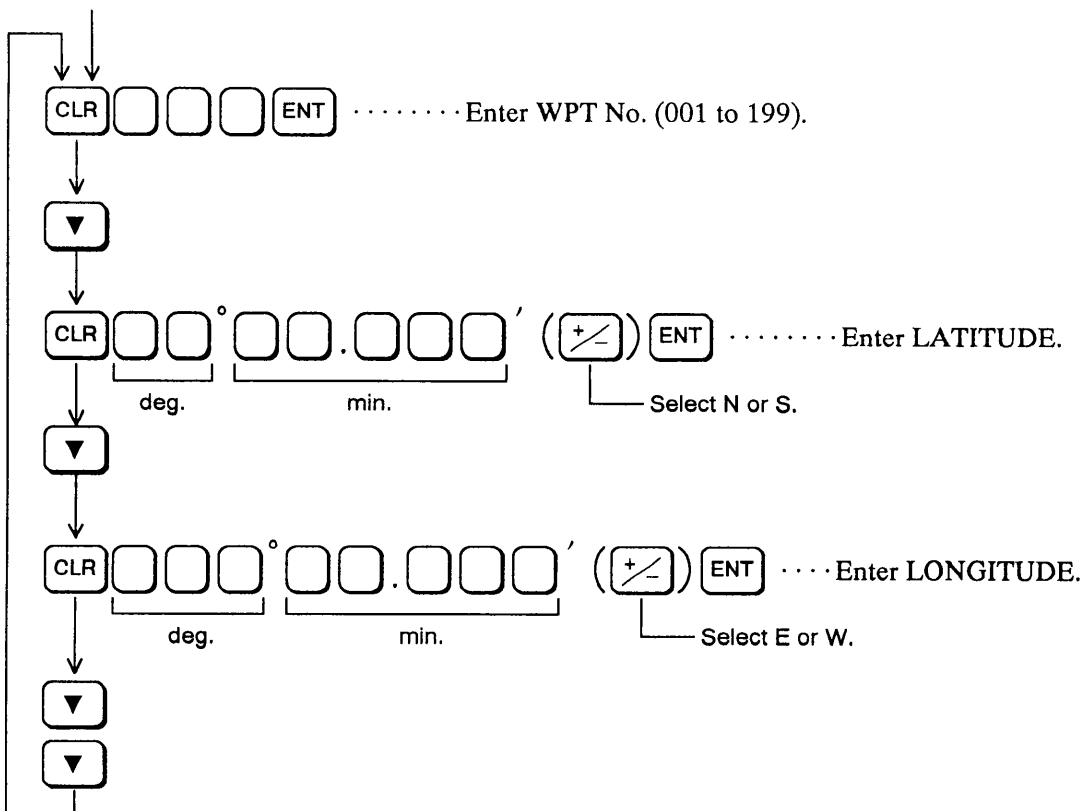
ENT Enter a waypoint number (001 to 199).

Registering by LAT/LONG

Press **WPT**.

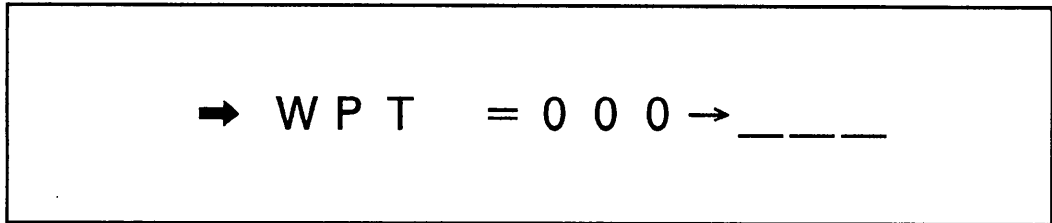
→ WPT =	0 0 5																		
LAT =	3 4 °	4 4 .	2 6 8 '	N	FEB 11 '93														
LONG =	1 3 5 °	2 1 .	7 1 2 '	E	13:25'39"U														
CMNT =		:	---																
	A B C D E F G H I J K L M N O P Q R S T U V W X Y Z																		FINISH

Continued



Selecting TO WAYPOINT

Press . -----> The present position is selected as FROM WAYPOINT "000".



ENT Enter a waypoint number (TO WAYPOINT) which you want to go to.

The SPD•CRS presentation automatically shows up. You should see the XTE (cross-track error) indicator (arrows) at the top of the screen. Steer the helm in the direction indicated by the arrows, and the boat will follow the intended track line.

