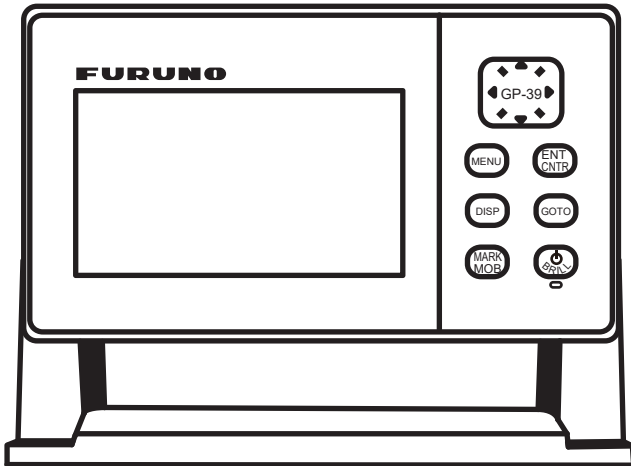


**Note:** Refer to the Operator's Manual of SCX-21 when using the GP-39 with SCX-21 operation mode.



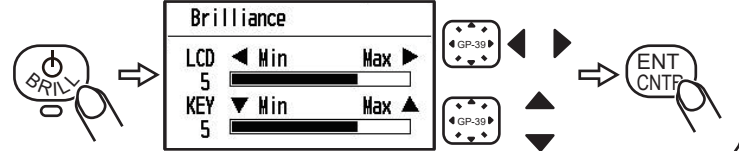
How to select a language

Only once after installation.

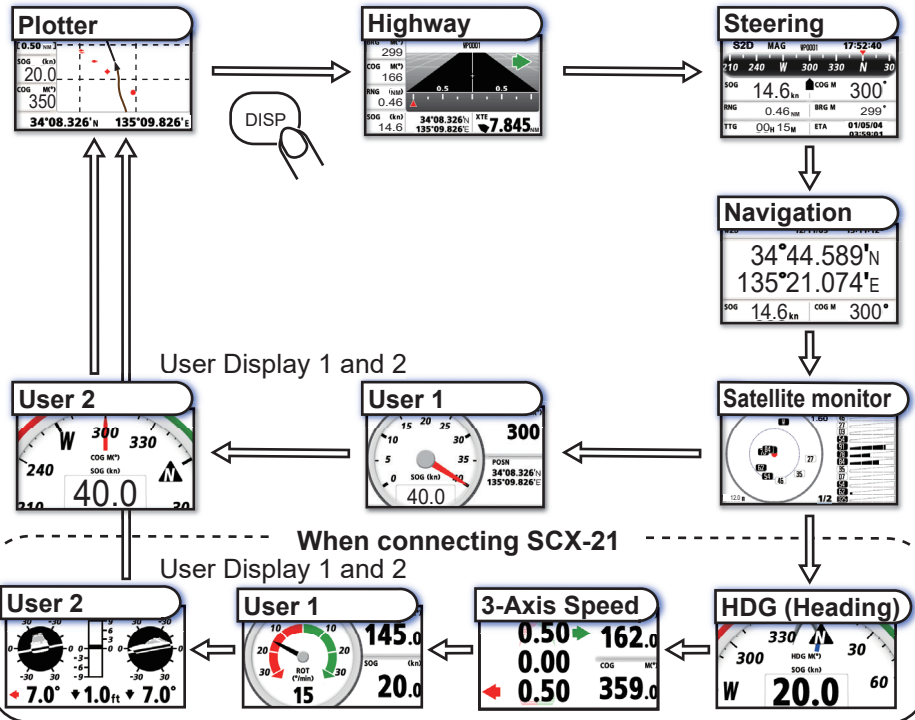
**Note:** When the SCX-21 is connected, set the "Operation Mode" menu to "SCX-21" to use the GP-39 as a control unit of the SCX-21.



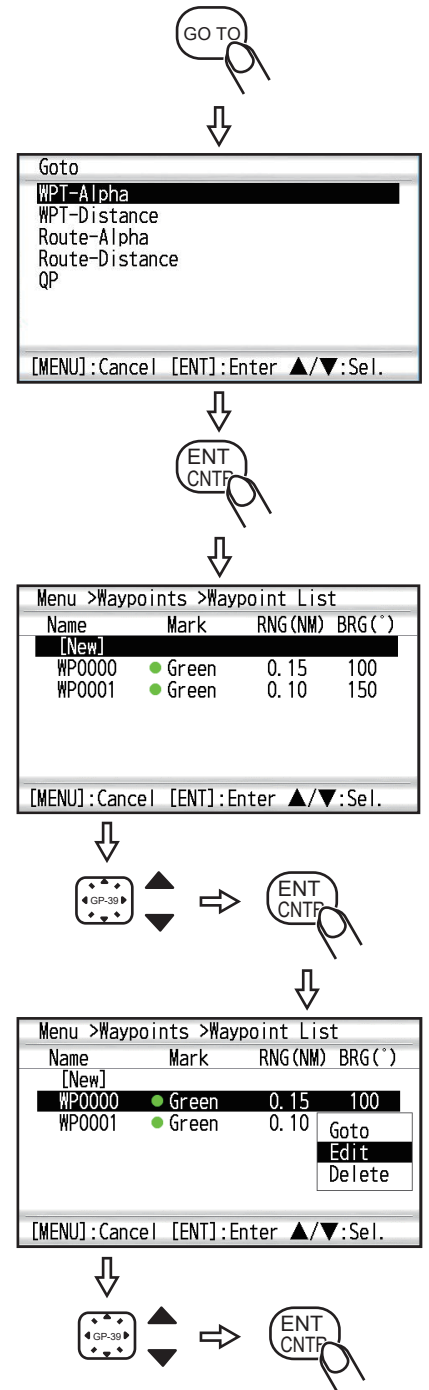
How to adjust brilliance of LCD and key



How to select a display

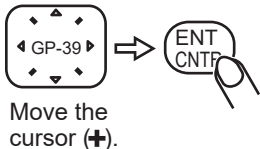


How to go to/Edit/Delete a waypoint

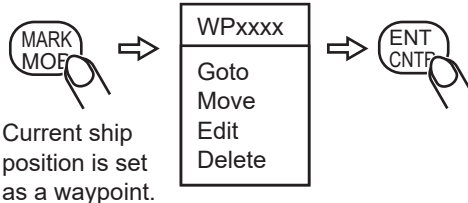


How to enter a waypoint

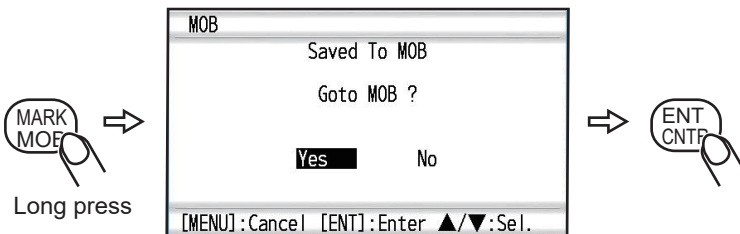
(Plotter display only)



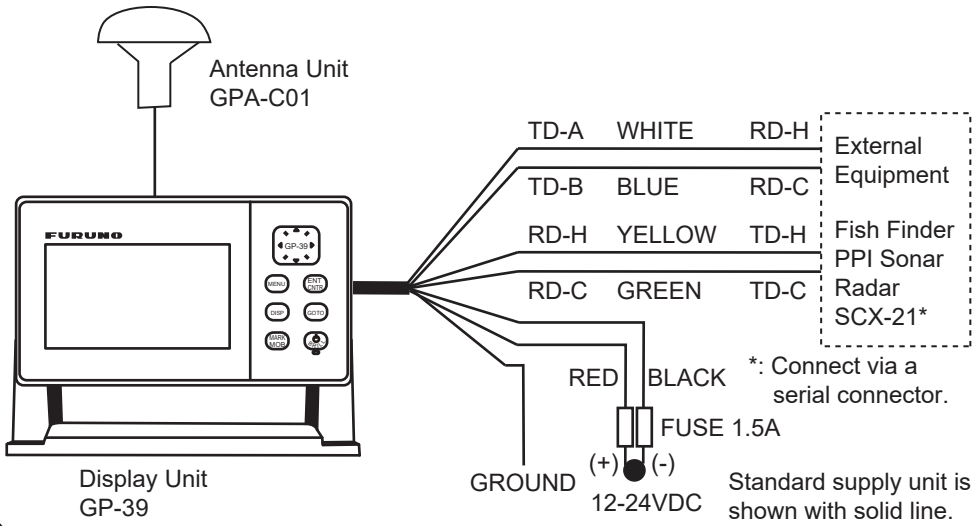
(Other than plotter display)



How to enter a MOB



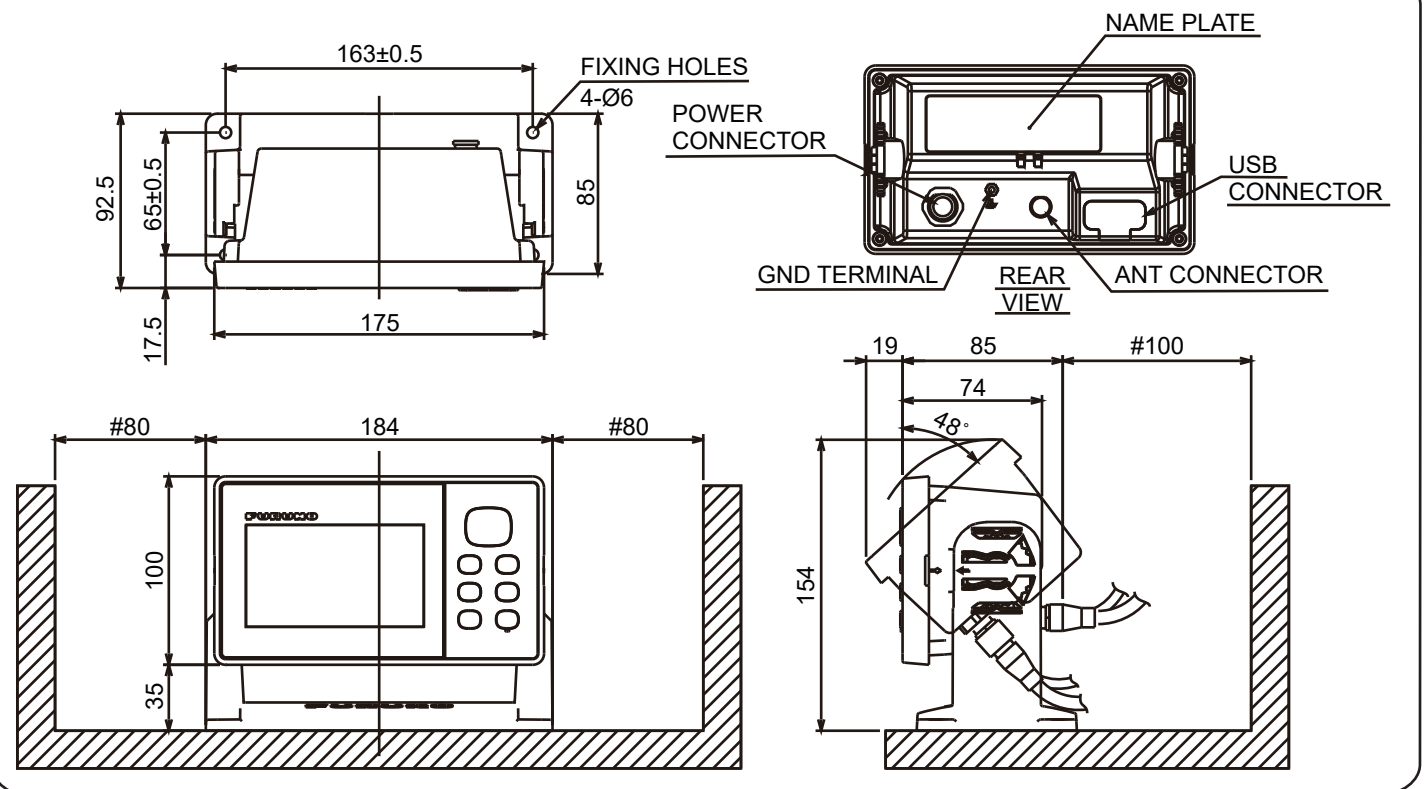
### Interconnection with other equipment



### Note for treatment of LCD

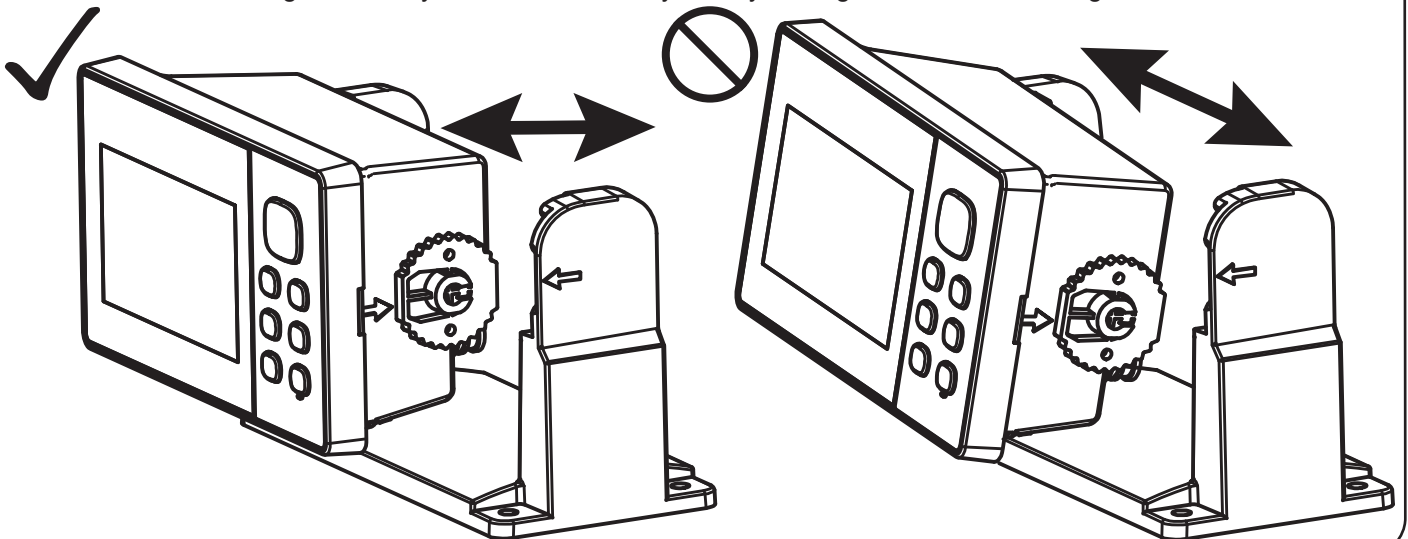
Wipe the LCD carefully to prevent scratching, using tissue paper and a soft cloth. To remove dirt or salt, use a damp soft cloth, wiping slowly so as to dissolve the dirt or salt. Rinse the cloth regularly so the dirt or salt will not scratch the LCD. Do not use solvents such as thinner, acetone or benzene for cleaning. Also, do not use degreaser or antifog solution, as they can strip the coating from the LCD.

### Outline Drawing



### Attaching/Detaching the display unit to/from the hanger

To detach the receiver unit from the hanger, align the arrow marks on the unit and hanger. If the arrows are not aligned when you detach the unit, you may damage the unit or the hanger.



# Troubleshooting

This section provides simple troubleshooting procedures which the user can follow to restore normal operation. If you cannot restore normal operation, do not attempt to check inside the unit. Any trouble should be referred to a qualified technician.

Symptom	Remedy
You cannot turn on the power.	Check that power cable is firmly fastened.
	Check for damaged power cable and connector.
	Check battery for proper voltage output.
No picture appears.	Press the <b>⏻/BRILL</b> key several times to adjust the brilliance.
There is no response when a key is pressed.	Turn off and on the power. If no change, ask your dealer.
Position is not fixed within 90 seconds.	Check that antenna connector is firmly fastened.
	Check the number of satellites on Satellite Monitor display. If there are two or less, check for obstructions between antenna unit and satellites.
Position is wrong.	Check that the correct geodetic chart system is selected on the GPS Setting screen.
	Enter position offset on the GPS Setting screen.
Bearing is wrong.	Check [Magnetic Variation] on the Plotter Setup screen.
[COMMUNICATION TIMEOUT!] message appears when using SCX-21 mode.	Check if own ship is within the range of QZSS. Check if [QZSS Positioning] is set to [On].

## Use of the proper fuse

### Use of the wrong fuse can damage the equipment or cause fire.

The 1.5 A fuse (Type: FGMB 125V 1.5A PBF, Code No.: 000-157-464-10) in the fuse holder inside of the unit protects the unit from overcurrent and equipment fault. If you cannot turn on the power, check the fuse to see if it has blown. If the fuse has blown, find the reason before you replace the fuse. If the fuse blows again after the replacement, contact your dealer for advice.

## SPECIFICATIONS

### 1 ANTENNA UNIT

1.1 Receiving channel	GPS: 12 channels parallel, 12 satellites tracking	SBAS: 2 channels	QZSS: 4 channels*
1.2 Rx frequency	1575.42 MHz ±1.023 MHz		
1.3 Rx code	GPS: C/A code, SBAS: L1 C/A, L1S		
1.4 Position fixing system	All in view, 8 state Kalman filter		
1.5 Position accuracy	GPS 10 m (95% of the time, HDOP ≤ 4)	WAAS 3 m (95% of the time, HDOP ≤ 4)	QZSS (SLAS) 3 m (95% of the time, HDOP ≤ 4)*
1.6 Tracking velocity	1000 kn		
1.7 Position fixing time	Warm start: 12 s typical, Cold start: 90 s typical		
1.8 Position update interval	1 s		

### 2 DISPLAY UNIT

2.1 Display system	4.2-inch Color LCD, 480 x 272 dots, 92.88 (W) x 52.632 (H) mm		
2.2 Display mode	Plotter, Highway, Steering, NAV data, Satellite monitor, User display		
2.3 Brilliance	700 cd/m <sup>2</sup> nominal		
2.4 Projection	Mercator		
2.5 Range scale	Plotter: 0.02/0.05/0.1/0.2/0.5/1/2/5/10/20/40/80/160/320 NM	Highway: 0.2/0.4/0.8/1/2/4/8/16 NM	
2.6 Memory capacity	Track: 3,000 pts, Waypoint: 10,000 pts w/ comment 13 character		
2.7 Storage capacity	100 routes w/ 30 waypoint each		
2.8 Alarms	Arrival and anchor watch, Cross track error, Ship' s speed, SBAS, Time, Trip, Odometer		

### 3 INTERFACE

3.1 Number of ports	NMEA0183 V1.5/2.0/3.0: 1 port, current roop	USB: 1 port, USB2.0
3.2 Data sentences	Input: RTE, TLL Output: AAM, APB, BOD, BWC, BWR, DTM, GGA, GLL, GSA, GSV, RMB, RMC, VTG, XTE, ZDA	
3.3 Output proprietary sentences	PFEC GPrtc, GPwpl, GPxfr, SDmrk	

### 4 POWER SUPPLY

4.1 Display unit	12-24 VDC: 0.7-0.3 A
------------------	----------------------

### 5 ENVIRONMENTAL CONDITIONS

5.1 Ambient temperature	Antenna unit -25°C to +70°C (storage: -30°C to +75°C)	Display unit -15°C to +55°C (storage: -30°C to +75°C)
5.2 Relative humidity	93% or less at +40°C	
5.3 Degree of protection	Antenna unit : IP56	Display unit : IP55
5.4 Vibration	IEC 60945 Ed.4	

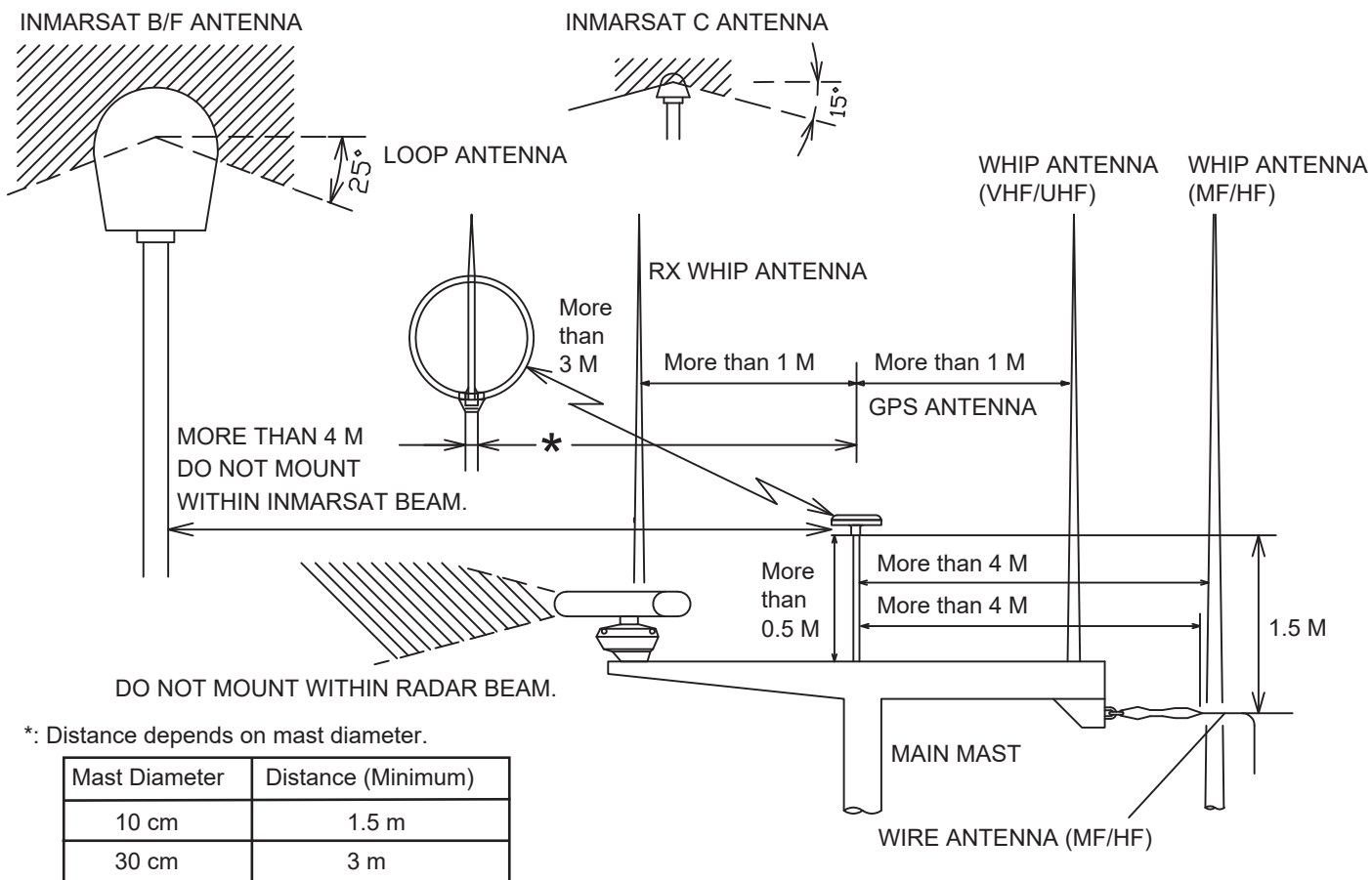
### 6 UNIT COLOR

6.1 Antenna unit	RAL9010
6.2 Display unit	N1.0

\*: QZSS is unavailable when the [GPS Ver] is 4850-465021.  
The [GPS Ver] appears on [Menu] - [System] - [Self Test] - [System Test] menu.

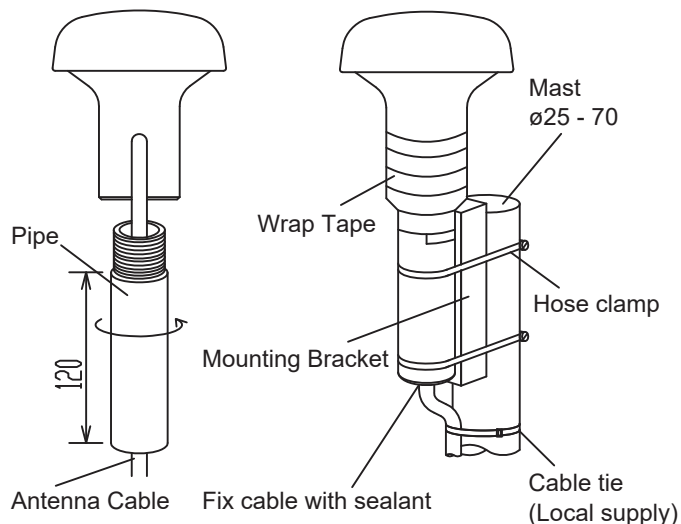
## Mounting Location of Antenna

This figure shows the separation distances from other antennas to avoid mutual interference.

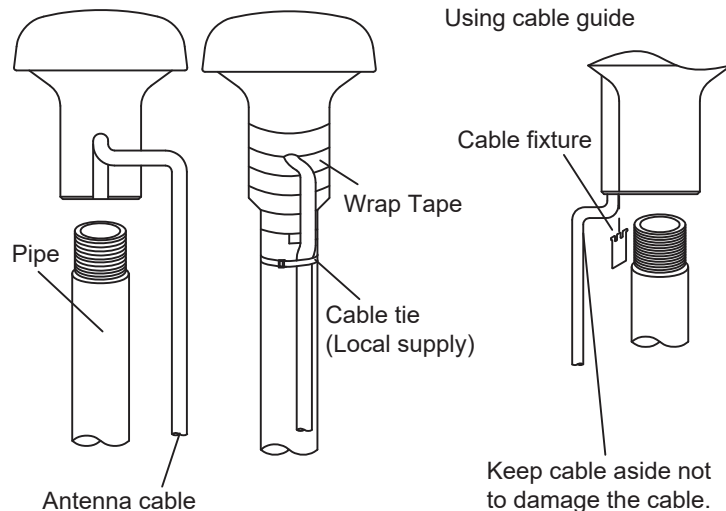


## Mast Mounting

a) Use mast mounting kit CP20-01111.



b) Use a pipe only.



## Downloading Operator's Manual

Please download the Operator's Manual from the following URL or quick response code to the right.  
URL: <http://www.furuno.com/en/support/manuals/terms>

