

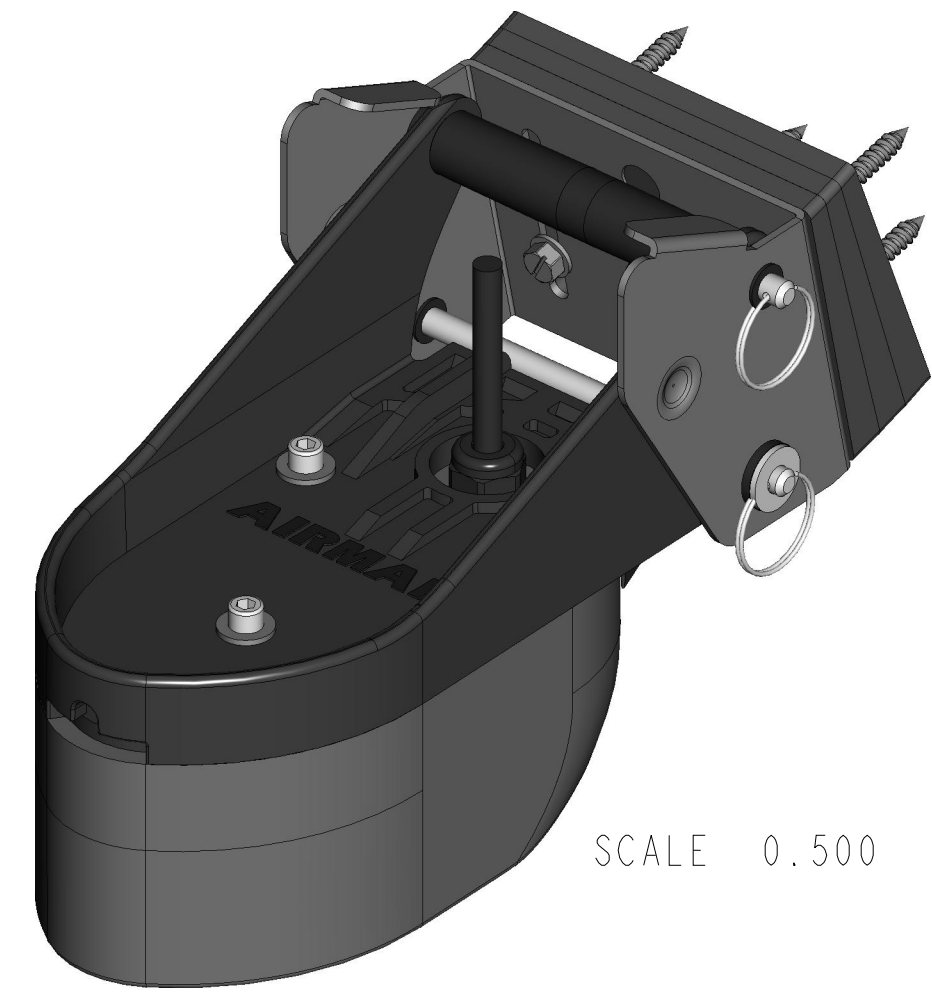
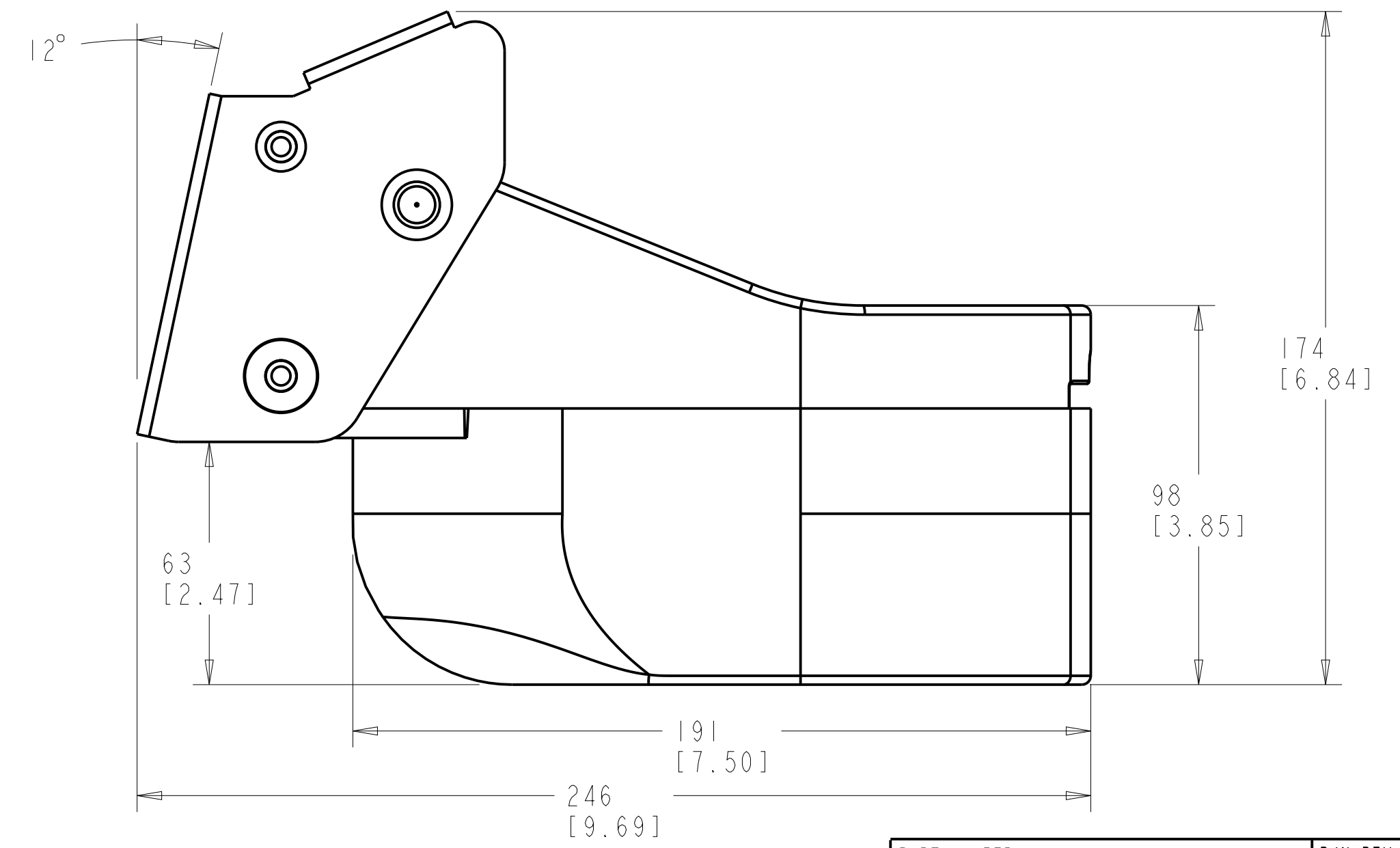
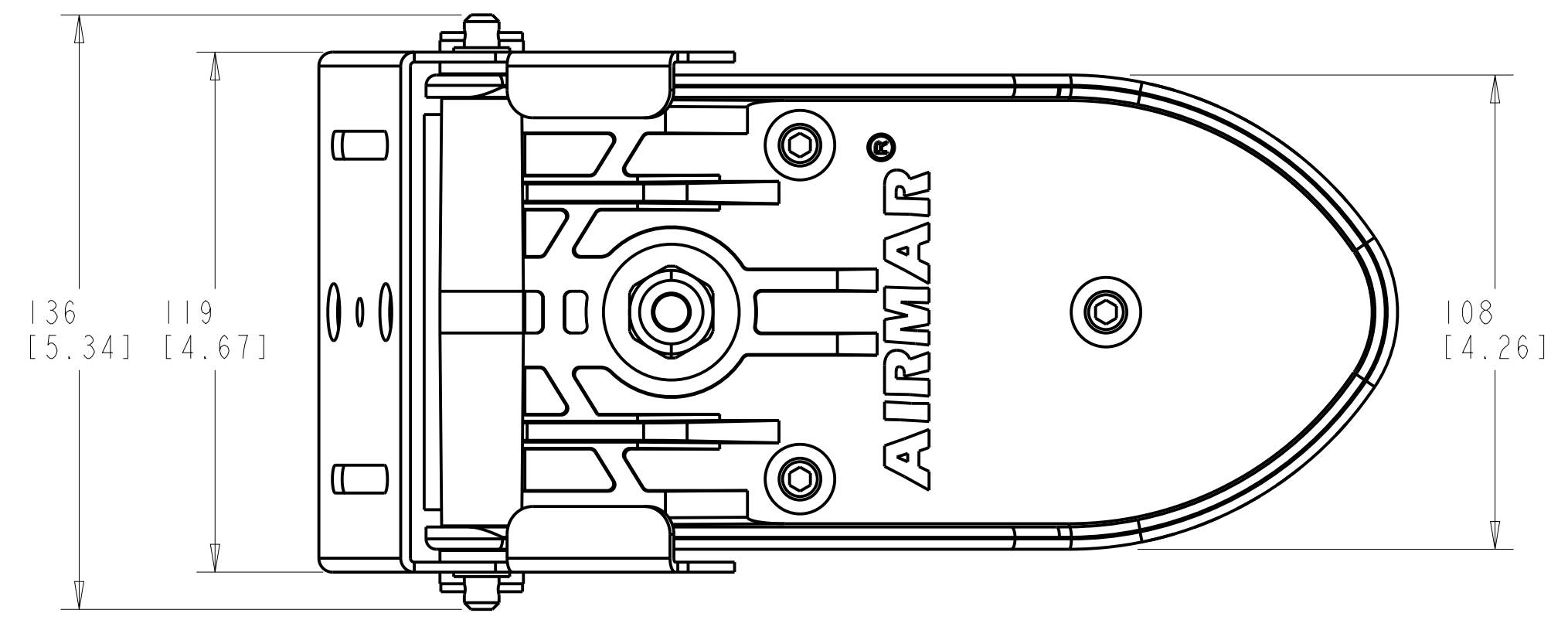
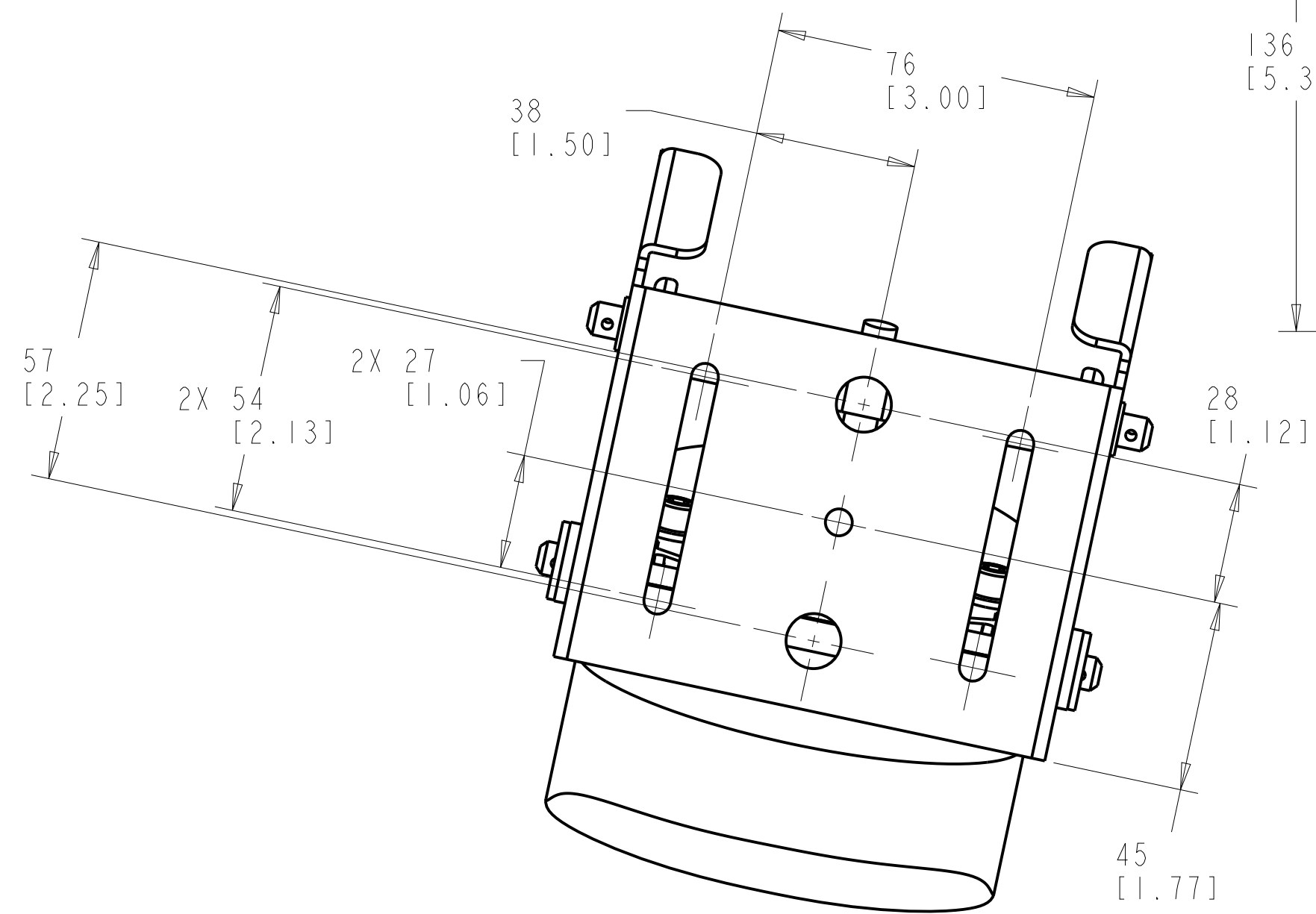
THIRD ANGLE PROJECTION

DOCUMENT REVISIONS

REV	DESCRIPTION	CO NO.	DATE	CHG/CHK
1	PRELIMINARY RELEASE	--	--	--

NOTES:

1. 3° ANGLED WEDGES NOT SHOWN IN DRAWING



SCALE 0.500

PART NUMBER	N/A	P/N REV	-
-------------	-----	---------	---

UNLESS OTHERWISE SPECIFIED	SIGNATURE	DATE
DIMENSIONS ARE IN MM TOLERANCES ON: 0 PL DECIMALS: ±2 1 PL DECIMALS: ±0.5 ANGLES: ±1/2° FRACTIONS: ±1/16	DRAWN: D. SPALDING	05/30/2018
	CHECKED: J. DeCARLO	01/13/2020

AIRMAR AIRMAR TECHNOLOGY CORPORATION
 35 MEADOWBROOK DR.
 MILFORD, NH 03055-4613 USA
 TEL: 603-673-9570 FAX: 603-673-4624

TITLE TM260, TM265, TM275
 OUTLINE DRAWING

MATERIAL BRACKET, HARDWARE: STAINLESS STEEL
 ACOUSTIC WINDOW: URETHANE

SIZE	SCALE: 3/4	DOC NUMBER	DOC REV
C	SHEET 1 OF 1	D-19042	1

THIS DOCUMENT AND THE DATA DISCLOSED HEREIN OR HEREWITH IS NOT TO BE REPRODUCED, USED, OR DISCLOSED IN WHOLE OR IN PART TO ANYONE WITHOUT THE PERMISSION OF AIRMAR.

CRITICAL DIMENSION (REF) DO NOT SCALE DRAWING