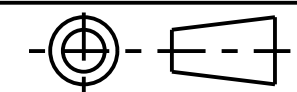


THIRD ANGLE PROJECTION

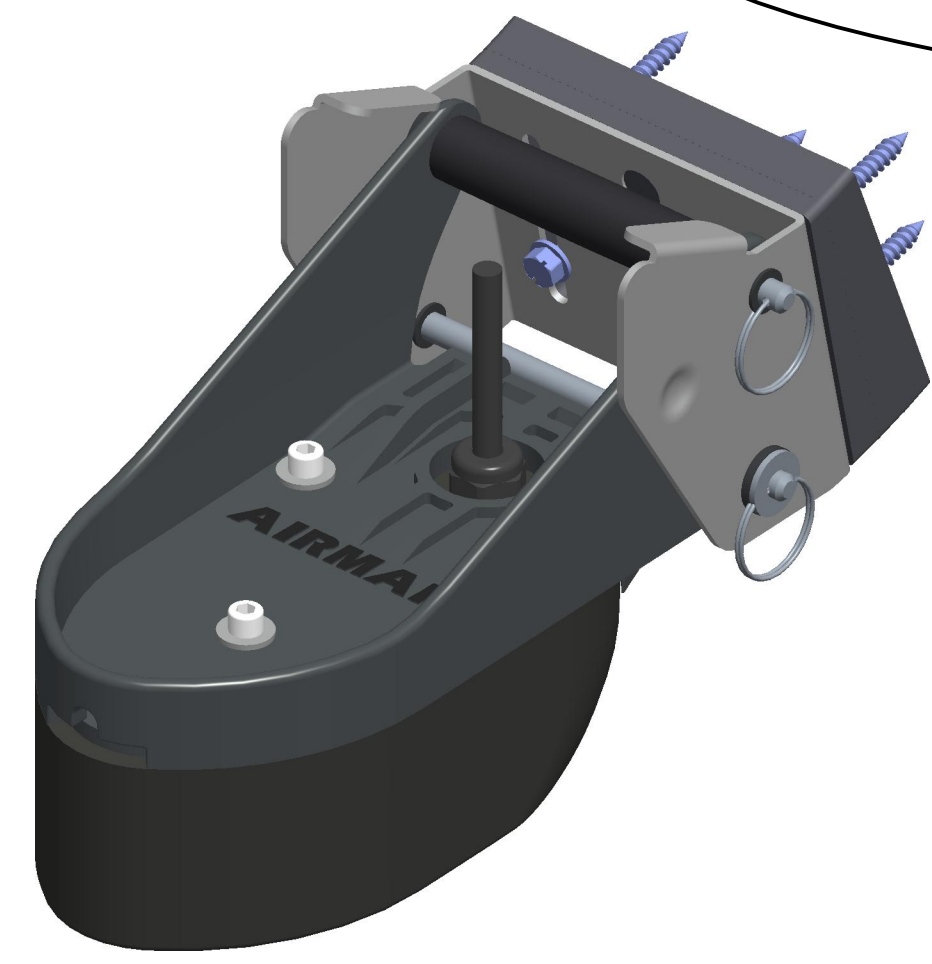
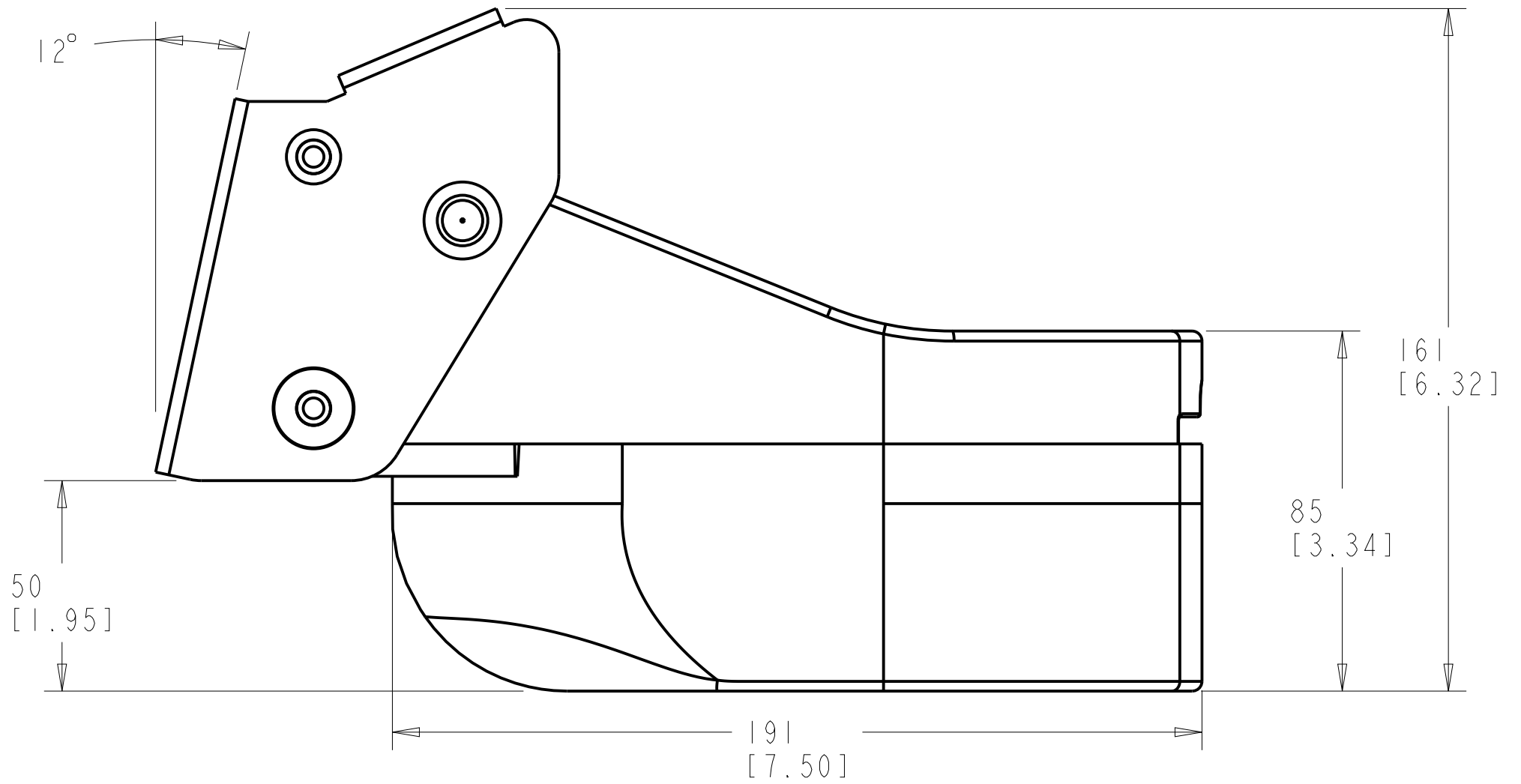
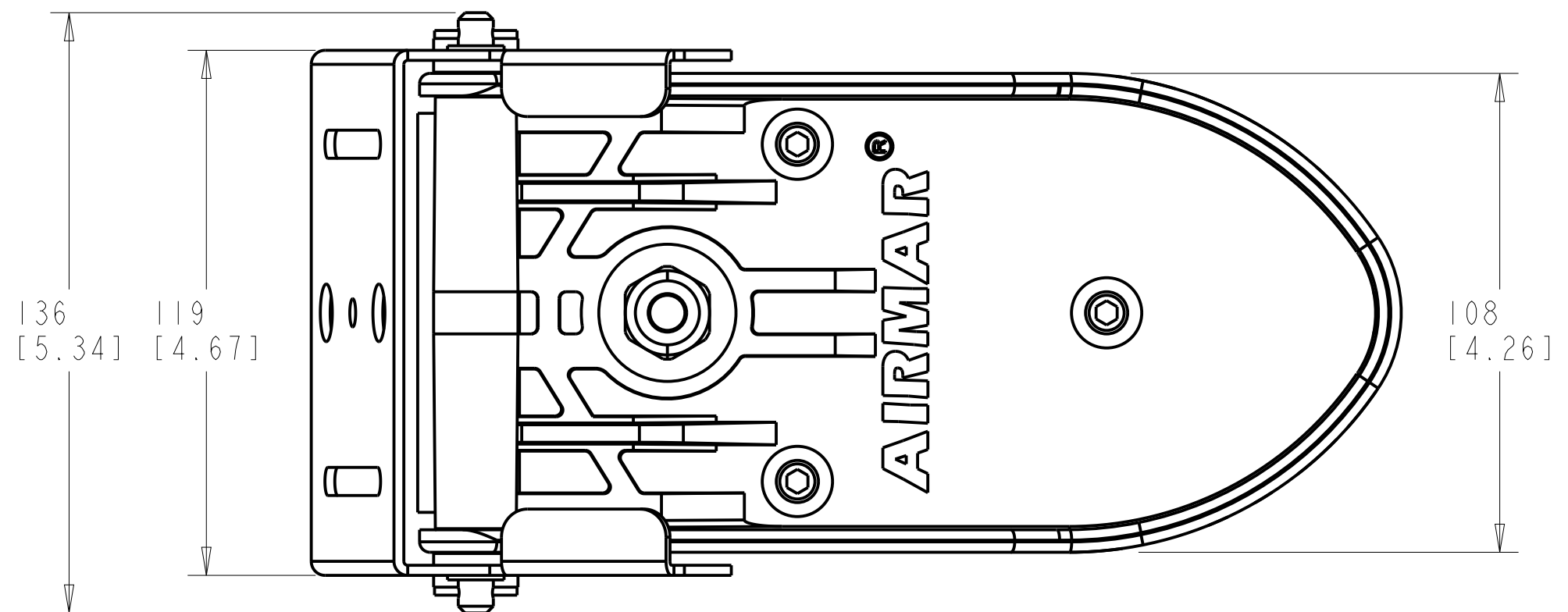
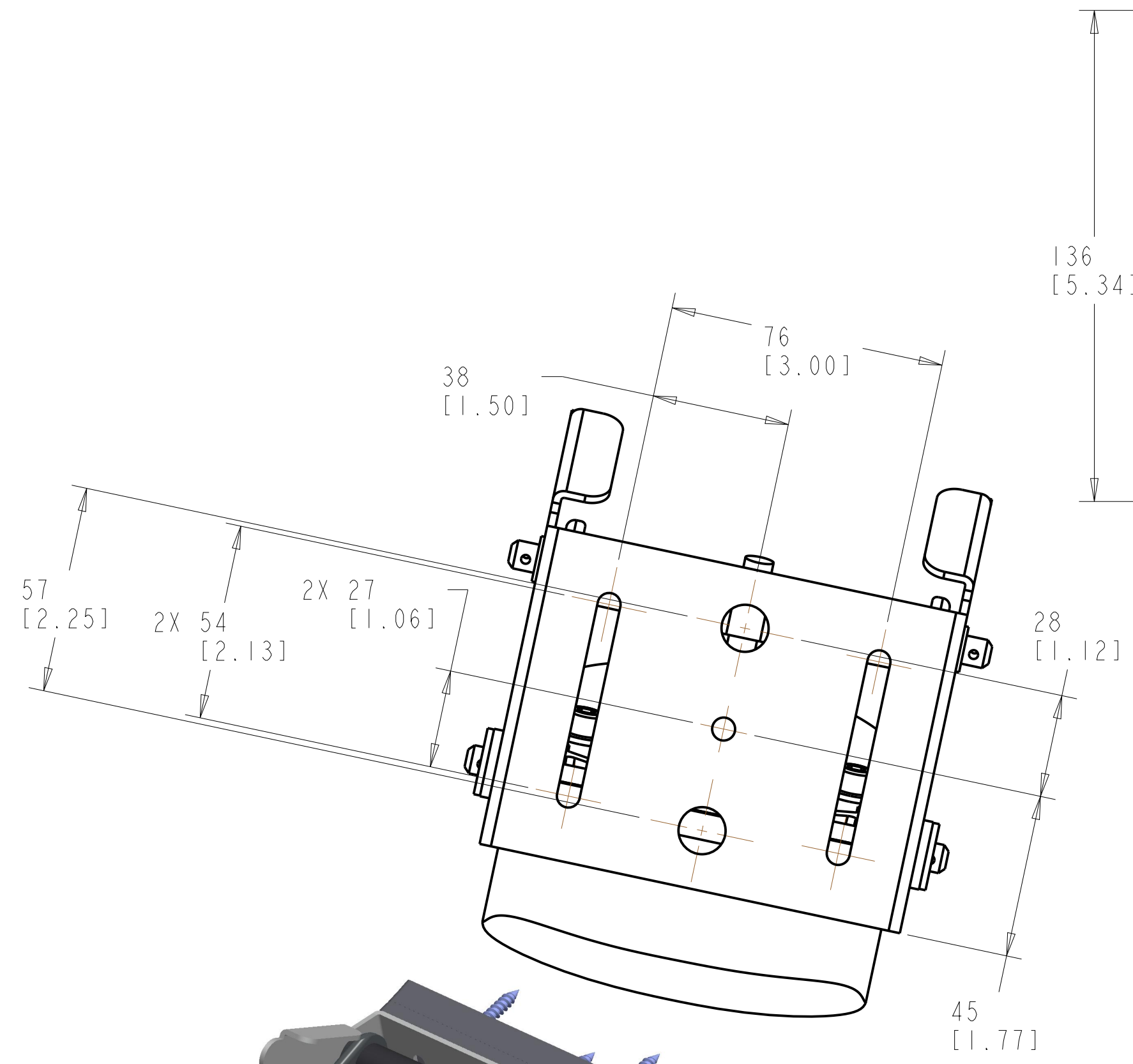


DOCUMENT REVISIONS

REV	DESCRIPTION	CO NO.	DATE	CHG/CHK
1	INITIAL RELEASE	---	--/--/--	---/---

NOTES:

1. 3° ANGLED WEDGES NOT SHOWN IN DRAWING



PART NUMBER	N/A	P/N REV	N/A
-------------	-----	---------	-----

UNLESS OTHERWISE SPECIFIED	SIGNATURE	DATE
DIMENSIONS ARE IN MM TOLERANCES ON 0 PL DECIMALS: ±2 1 PL DECIMALS: ±0.5 ANGLES: ±1/2° FRACTIONS: ±1/16	DRAWN: D.SPALDING	06/01/18
	CHECKED: E.BEISWENGER	01/29/20

**AIRMAR**  
 AIRMAR TECHNOLOGY CORPORATION  
 35 MEADOWBROOK DR.  
 MILFORD, NH 03055-4613 USA  
 TEL: 603-673-9570 FAX: 603-673-4624

TITLE  
 OUTLINE DRAWING  
 TM185 TM258

MATERIAL BRACKET, HARDWARE: STAINLESS STEEL  
 ACOUSTIC WINDOW: URETHANE

SIZE	SCALE: 1/2	DOC NUMBER	DOC REV
C	SHEET 1 OF 1	D-19080	1

THIS DOCUMENT AND THE DATA DISCLOSED HEREIN OR HEREWITH IS NOT TO BE REPRODUCED, USED, OR DISCLOSED IN WHOLE OR IN PART TO ANYONE WITHOUT THE PERMISSION OF AIRMAR.

CRITICAL DIMENSION (REF) DO NOT SCALE DRAWING