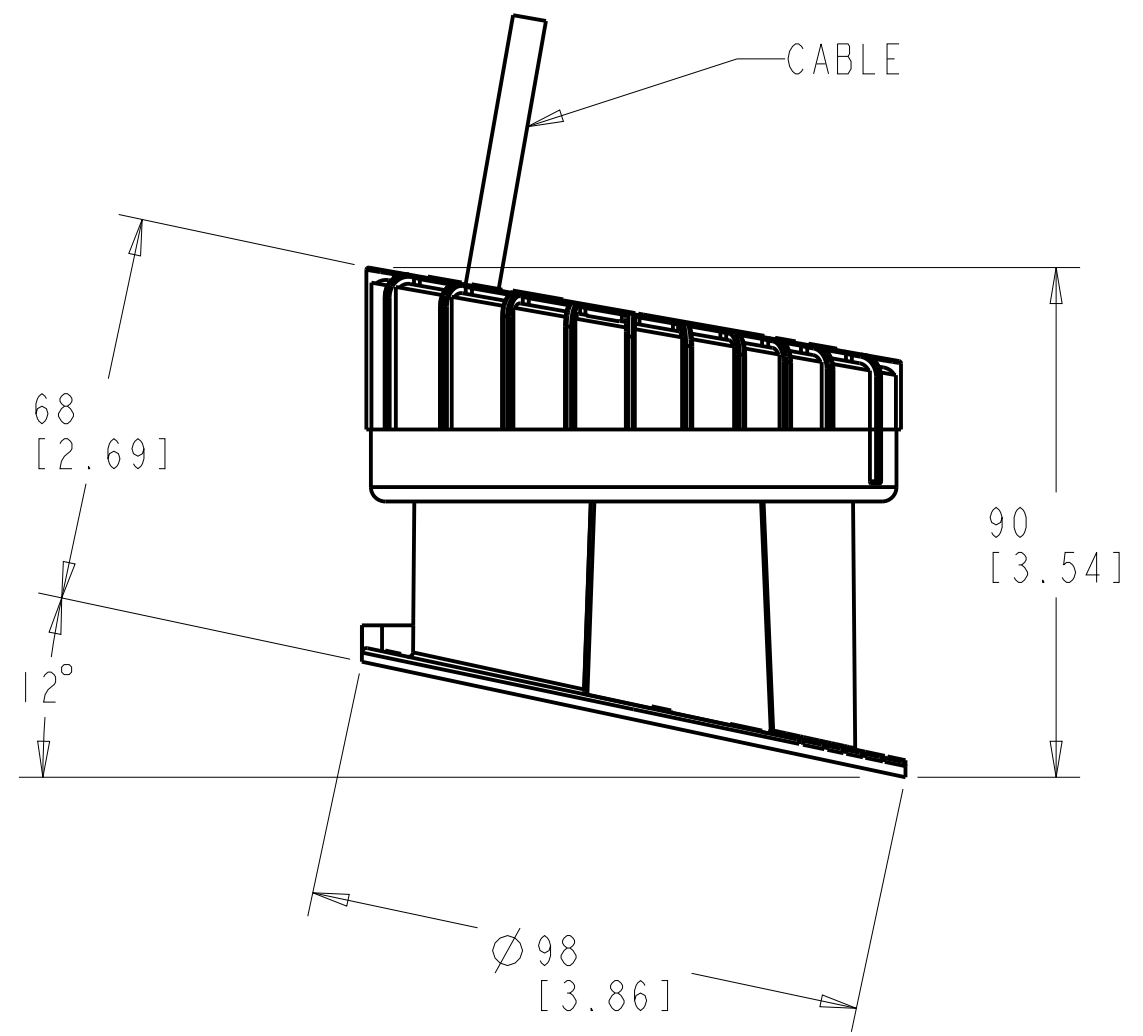
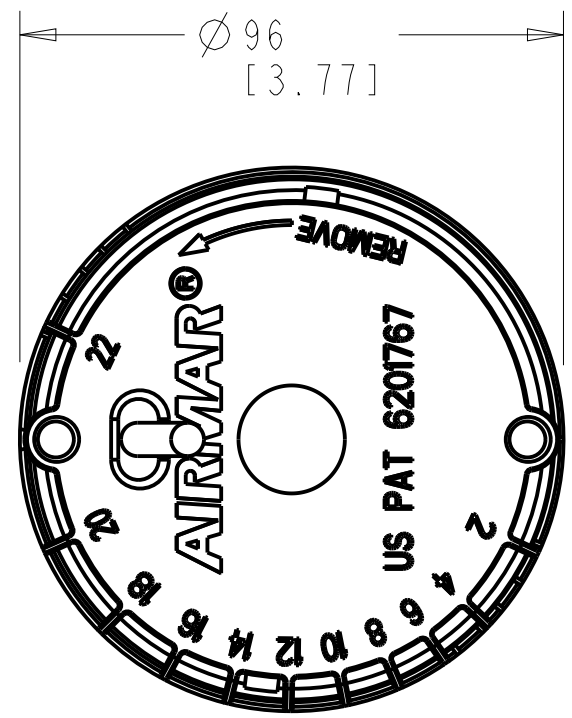


THIRD ANGLE PROJECTION		DOCUMENT REVISIONS			
	REV	DESCRIPTION	CO NO.	DATE	CHG/CHK
	1	INITIAL RELEASE	2432	02/16/21	JD/LRS



UNLESS OTHERWISE SPECIFIED DIMENSIONS ARE IN MM TOLERANCES ON 0 PL DECIMALS: ±2 1 PL DECIMALS: ±0.5 ANGLES: ±1/2° FRACTIONS: ±1/16	SIGNATURE	DATE
	DRAWN: D.SPALDING	05/31/2018
	CHECKED: J. DeCARLO	02/15/2021
MATERIAL HOUSING: PLASTIC ACOUSTIC WINDOW: URETHANE		

PART NUMBER	N/A	P/N REV	N/A
AIRMAR AIRMAR TECHNOLOGY CORPORATION 35 MEADOWBROOK DR MILFORD NH 03055-4613 USA TEL: 603-673-9570 FAX: 603-673-4624			
TITLE P79, P95, P75, OUTLINE DRAWING			
SIZE	SCALE: 1/4	DOC NUMBER	DOC REV
B	SHEET 1 OF 1	D-19870	1

THIS DOCUMENT AND THE DATA DISCLOSED HEREIN OR HERewith IS NOT TO BE REPRODUCED, USED, OR DISCLOSED IN WHOLE OR IN PART TO ANYONE WITHOUT THE PERMISSION OF AIRMAR