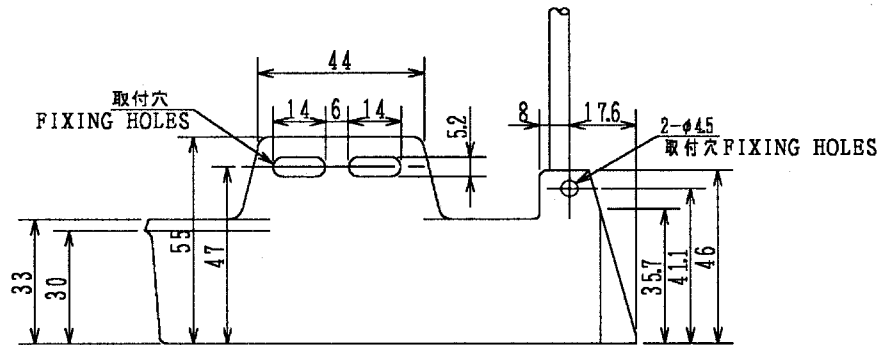
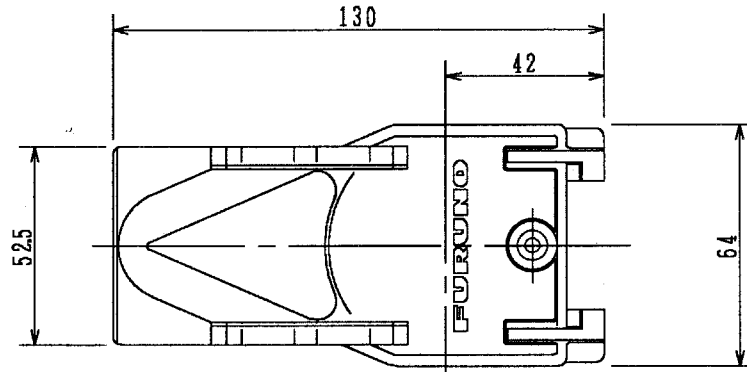


A

B

C

D



型式	TYPE	コネクタ	PLUG
520-5PWC		8P	
520-5PWD		10P	

DRAWN	Aug 26 '97 T. YAMASAKI		TITLE	520-5PWD, 520-5PWC	
CHECKED	Aug 26 '97 I. SHISHIDO		名称	送受波器	
APPROVED	Aug 26 '97 T. Yamaguchi			外寸図	
SCALE	1/2	MASS	kg	NAME	TRANSDUCER
DWGNa	C2003-G18-A				OUTLINE DRAWING