

THIRD ANGLE PROJECTION		DOCUMENT REVISIONS		
	REV	DESCRIPTION	CO NO.	DATE
	1	INITIAL RELEASE	1540	03/25/20
			---	---

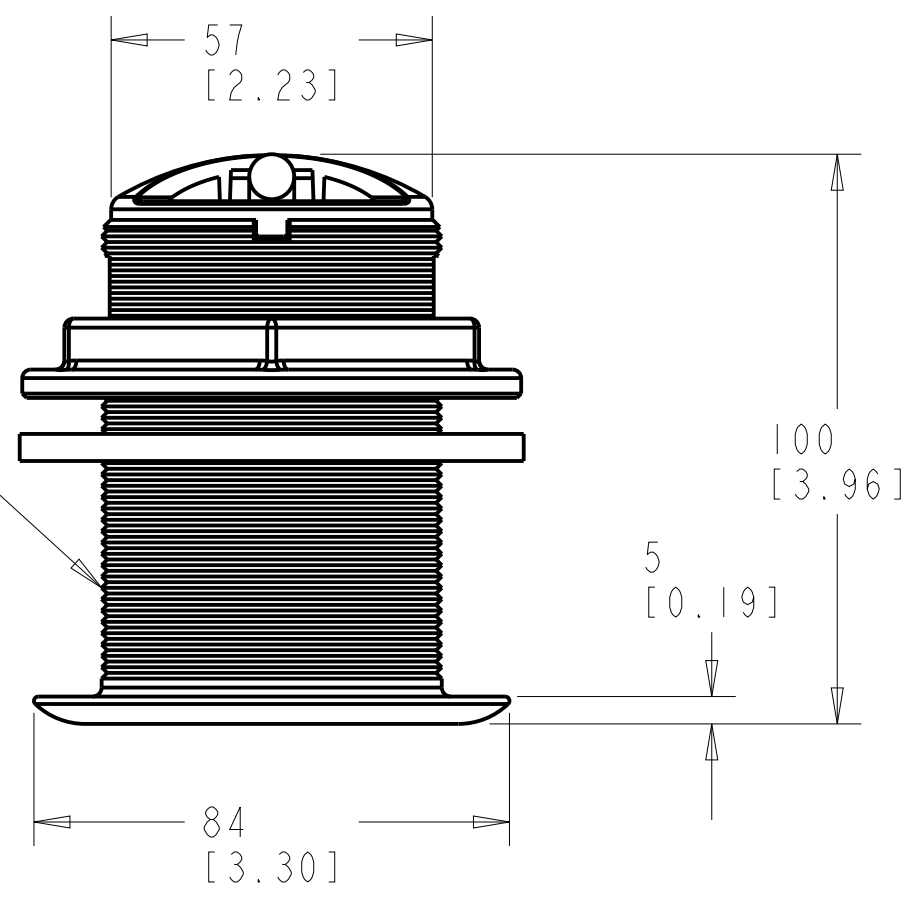
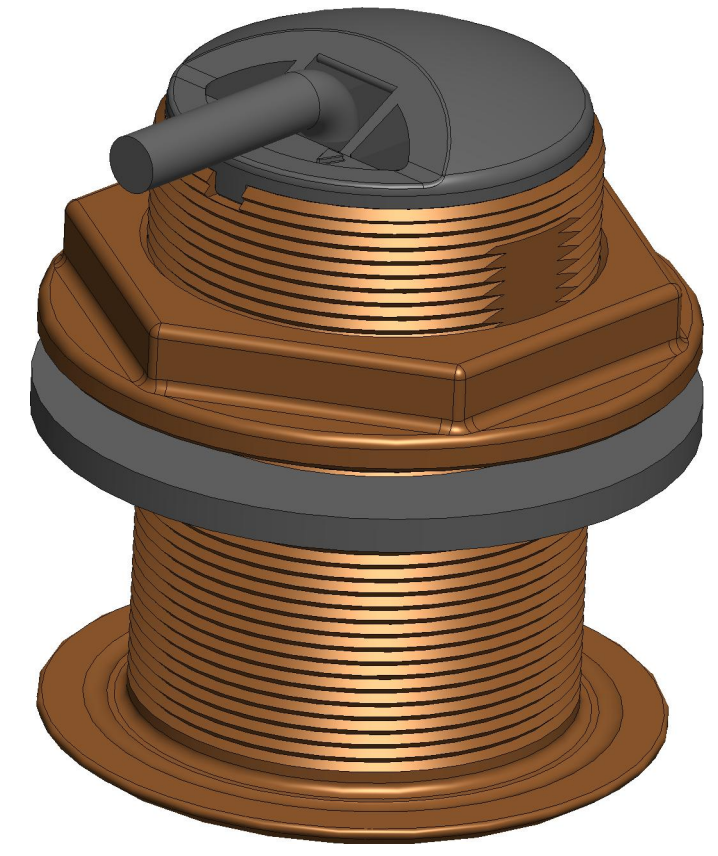
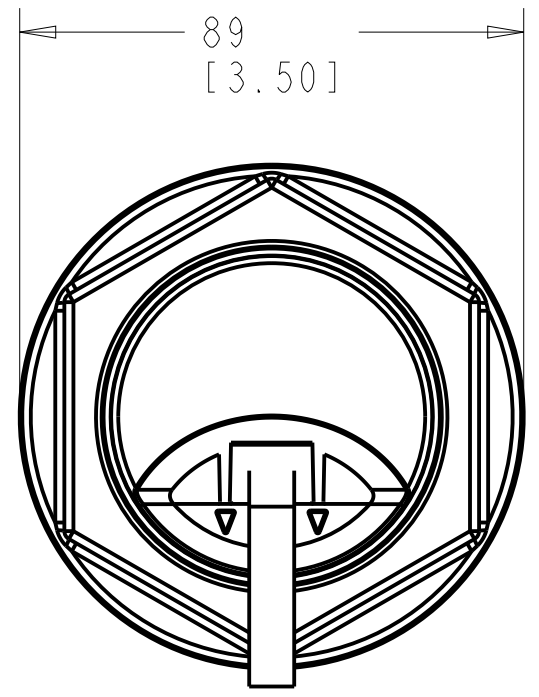


TABLE		
MODEL	HOUSING	ACOUSTIC WINDOW
B60	BRONZE	URETHANE
SS60	STAINLESS STEEL	URETHANE

PART NUMBER	P/N REV
N/A	N/A

UNLESS OTHERWISE SPECIFIED	SIGNATURE	DATE
DIMENSIONS ARE IN MILLIMETERS DIMENSION IN [] ARE INCHES TOLERANCES ON 0 PL DECIMALS: ±2 1 PL DECIMALS: ±0.5 ANGLES: ±1/2° FRACTIONS: ±1/16	DRAWN: D.SPALDING	05/22/18
	CHECKED: J. DeCARLO	03/19/20

AIRMAR AIRMAR TECHNOLOGY CORPORATION
 35 MEADOWBROOK DR
 MILFORD NH 03055-4613 USA
 TEL: 603-673-9570 FAX: 603-673-4624

MATERIAL
 SEE TABLE

TITLE OUTLINE DRAWING, B60 AND SS60			
SIZE B	SCALE: 3/4	DOC NUMBER D-92-327-01	DOC REV 1
SHEET 1 OF 1			

THIS DOCUMENT AND THE DATA DISCLOSED HEREIN OR HEREWITH IS NOT TO BE REPRODUCED, USED, OR DISCLOSED IN WHOLE OR IN PART TO ANYONE WITHOUT THE PERMISSION OF AIRMAR