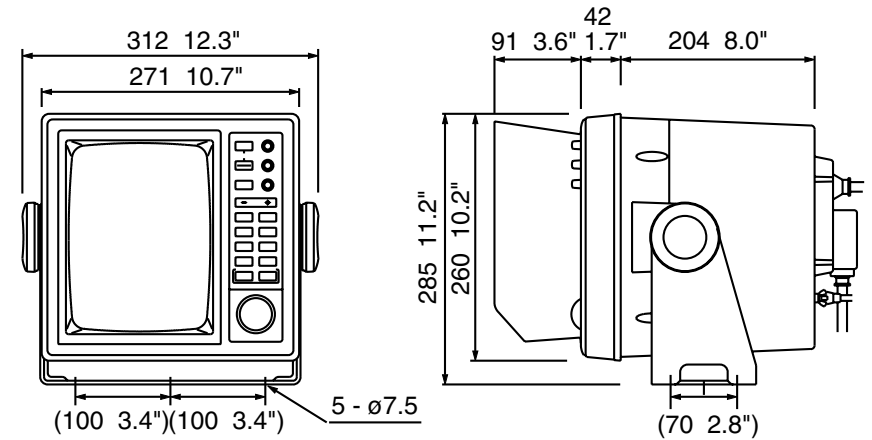


1835/1935/1945 Radar Dimensional Drawings

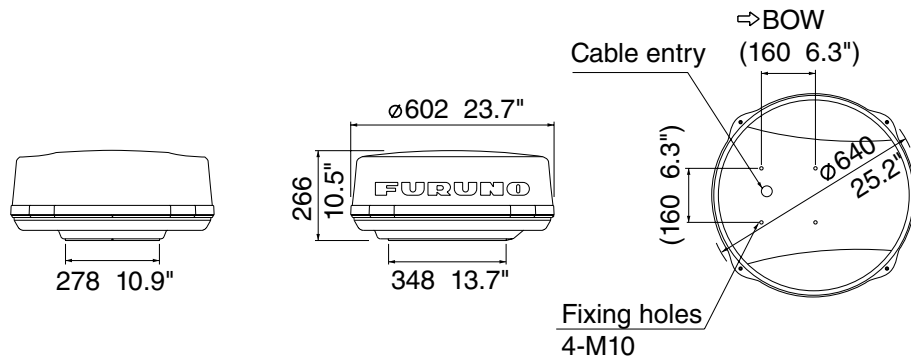
MODEL 1832/1932MK2/1942MK2 Display Unit

8 kg 17.6 lb



24" Radome Antenna

8 kg 17.6 lb



10ft Open Antenna
12ft Open Antenna

22 kg 48.5 lb
25 kg 55.1 lb

