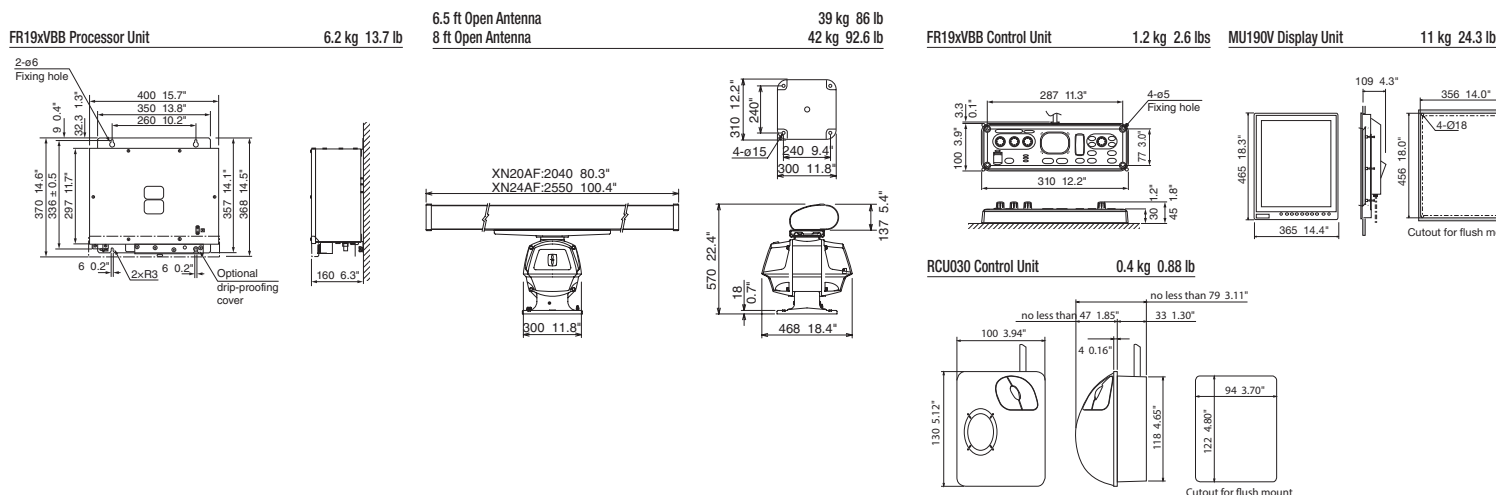
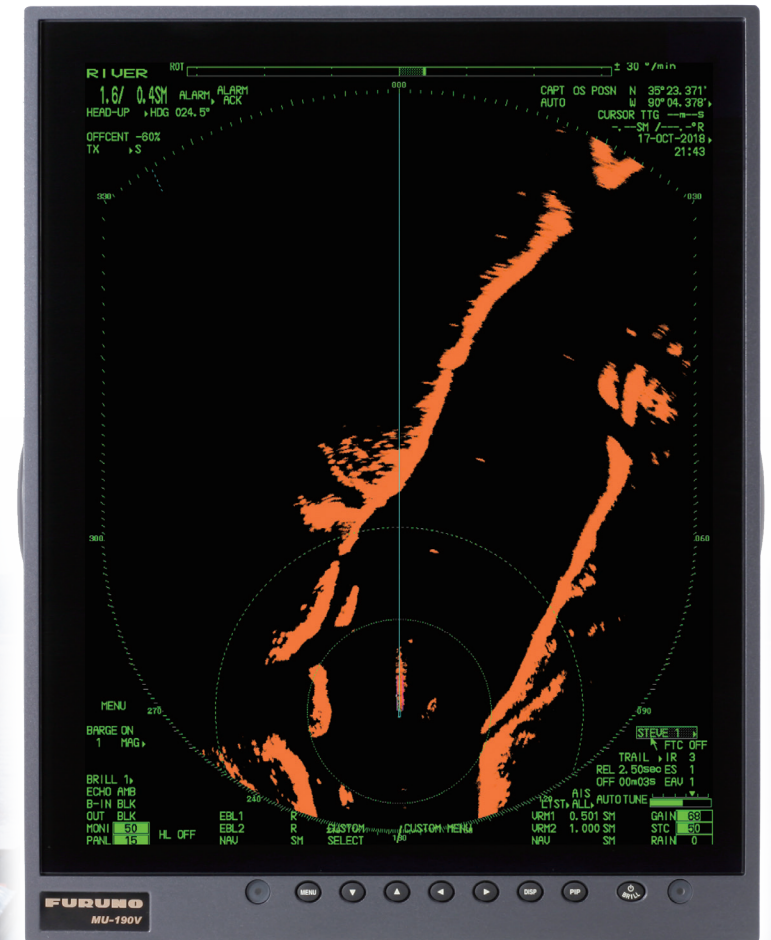
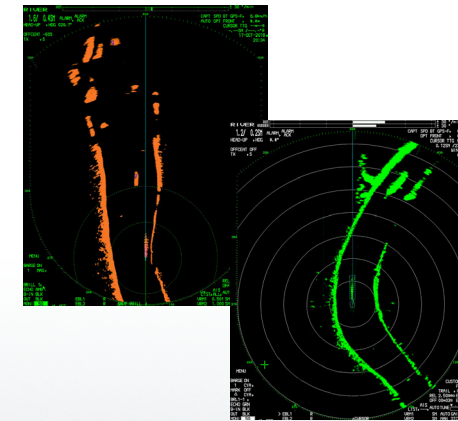


FR1908VBB / FR1918VBB RIVER RADAR

		FR1908VBB	FR1918VBB (available late 2018)
ANTENNA			
Type	6.5' (XN20AF) or 8'(XN24AF) Open Array		
Beamwidth	Horizontal	1.23' (XN20AF), 0.95' (XN24AF)	
	Vertical	20°	
Rotation speed	26 rpm		
RF TRANSCEIVER			
Frequency	9410 MHz ±30 MHz, PON		
Pulse length & PRR	S: 0.04 μS / 4000Hz (0.125 to 2 or 0.15 to 4 NM) M: 0.12 μS / 2000 Hz (1.6 to 4 or 1.5 to 4 or 3 to 8 NM) M2: 0.28 μS / 2000 Hz (4 to 16 or 3 to 16 or 6 to 32 NM) L: 0.6 μS / 1000 Hz (8 to 64 or 6 to 64 or 12 to 64 NM)		
Output power	4 kW		12 kW
IF frequency	IF	60 MHz	
DISPLAY			
Accuracy	Range	1.5% of range in use or 5 m whichever is the greater	
	Bearing	±0.5°	
Range and range ring interval	Range	0.125, 0.25, 0.5, 0.75, 1, 1.5, 2, 3, 4, 6, 8, 12, 16, 24, 32, 48, 96 NM	
	Ring	0.025, 0.05, 0.1, 0.25, 0.25, 0.25, 0.5, 0.5, 1, 1, 2, 2, 4, 4, 8, 8, 16 NM	
Echo trail	Interval: off/1.25/2.5/5 seconds (river) or off/5/15/30 seconds or 1/3/6 minutes (sea)		
TT targets	100 Targets		
AIS targets	300 Targets		
Radar map	5,000 pts		
INTERFACE (Processor unit)			
Heading	2 Ports: AD-10 format or IEC61162-2		
Serial	IEC61162-2: 2 Ports (AIS/HDG), IEC61162-1: 4 Ports (GPS/LOG/AMS/ECDIS)		
Interface (IEC61162, NMEA0183)	Input	ALR, DBS, DBT, DPT, DTM, GBS, GGA, GLL, GNS, HDT, HTD, MWV, RMC, ROT, RSA, THS, VDM, VDO, VHW, VTG, VWR, VWT, ZDA	
	Output	TTM	
Contact closure	Alert output: 4 ch, Remote ACK input, System fail, power fail		
Remote display	1 Port (Signal: HD, BP, Trigger and Video)		
LAN	1 Port (100 BASE-TX)		
DVI-D	1 Port for main display		
RGB	1 Port for VDR or RGB monitor		
Resolution	SXGA 1024 x 1280		
SD Card Slot	2 Slots, SD/SDHC		
ENVIRONMENT			
Temperature	Processor unit	-15°C to +55°C	
	Antenna unit	-25°C to +55°C (storage: +70°C or less)	
Waterproofing	Processor unit	IP20	
	Antenna unit	IP46	
	Control unit	IP22	
POWER SUPPLY			
Processor unit	24 VDC: 3.9 A max.		
Rectifier Unit RU-1746B (option)	100-115/220-230 VAC, 1 phase, 50/60 kHz		

See more detail ahead of the vessel, where it counts.



SPECIFICATIONS SUBJECT TO CHANGE WITHOUT NOTICE

All brand and product names are registered trademarks, trademarks or service marks of their respective holders.

FURUNO ELECTRIC CO., LTD.
Nishinomiya, Hyogo, Japan
www.furuno.com

FURUNO U.S.A., INC.
Camas, Washington, U.S.A.
www.furunousa.com

FURUNO (UK) LIMITED
Havant, Hampshire, U.K.
www.furuno.co.uk

FURUNO FRANCE S.A.S.
Bordeaux-Mérignac, France
www.furuno.fr

FURUNO ESPAÑA S.A.
Madrid, Spain
www.furuno.es

FURUNO DANMARK AS
Hvidovre, Denmark
www.furuno.dk

FURUNO NORGE A/S
Ålesund, Norway
www.furuno.no

FURUNO SVERIGE AB
Västra Frölunda, Sweden
www.furuno.se

FURUNO FINLAND OY
Espoo, Finland
www.furuno.fi

FURUNO POLSKA Sp. z o.o.
Gdynia, Poland
www.furuno.pl

FURUNO EURUS LLC
St. Petersburg, Russian Federation
www.furuno.com.ru

FURUNO DEUTSCHLAND GmbH
Rellingen, Germany
www.furuno.de

FURUNO HELLAS S.A.
Piraeus, Greece
www.furuno.gr

FURUNO (CYPRUS) LTD
Limassol, Cyprus

RICO (PTE) LTD
Singapore
www.rico.com.sg



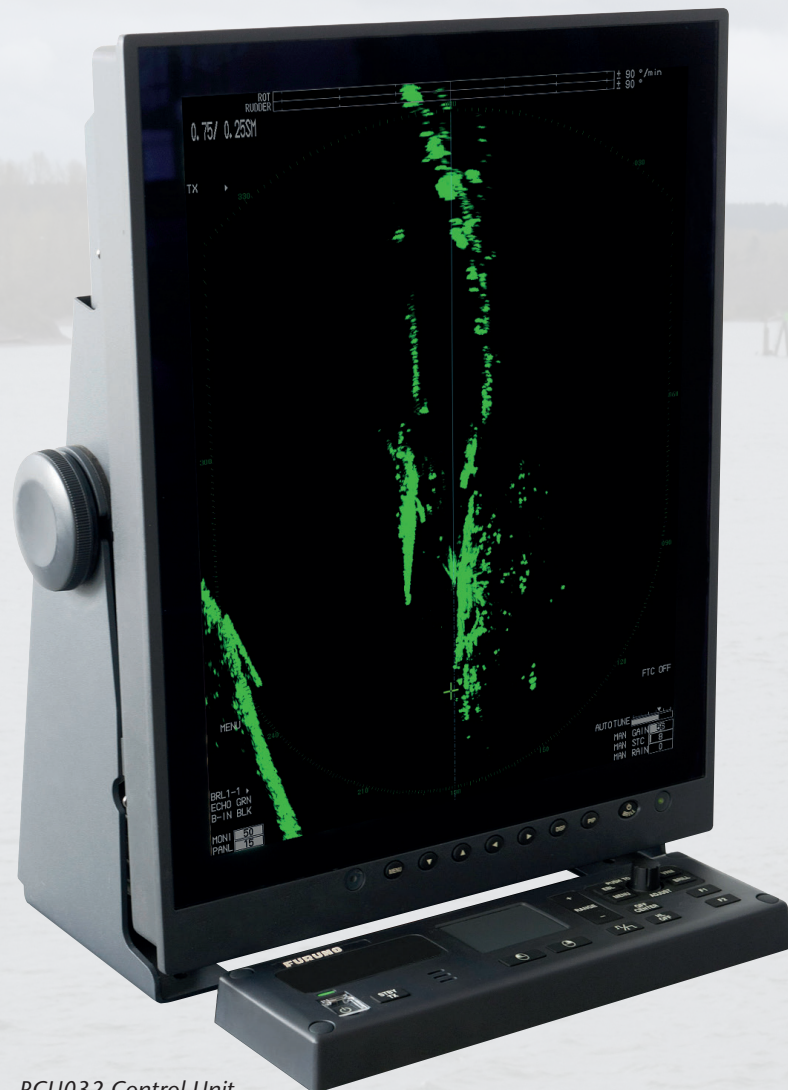
An all-new River Radar featuring advanced Furuno target detection

Powerful and Simple River Radar Designed for Inland Waterways

The FR1908VBB is a reliable River Radar that offers Furuno's top quality performance and ease of operation. Thanks to its compact components, this portrait display River Radar is simple to install. The new slim LED TFT screen produces a clear and contrast-strong image both day and night, and can be dimmed down to almost zero if necessary. Thanks to the unique, single PC-style mouse operation, the FR1908VBB River Radar is incredibly easy to use.

Simplified Control Unit with Touchpad

Working with the FR1908VBB from FURUNO is a whole new experience thanks to the unique operation with the mouse or a touchpad. Operation of the Radar is simplified, and all settings are menu-driven and easy to access.



RCU032 Control Unit with optional MU190V Monitor



RCU032 Control Unit

Features:

- Compact "Black Box" processor w/high-resolution (1280 X 1024) portrait output
- Ultra-short pulse length for superior resolution, river bank, buoy & vessel detection
- Commercial-grade gearbox with choice of familiar 6.5 or 8-foot antenna
- 10 preset tow configurations for fast creation & call-up of barge/vessel icons
- Distances in inland units (statute mile, barge length/width in feet)
- Slim RCU032 keyboard for saving space on dashboard or captain's chair or RCU030 trackball only
- Remote USB mouse capability for dual-station control
- Rate of Turn (ROT) indicator and rudder position indicator (with NMEA input)
- Easy single port connection to SC70* (Satellite Compass) offers heading, rate of turn, position, course/speed and new three axis speed display for accurate docking and tow building
- Dual video output for multiple monitors (1 DVI-I & 1 RGB) or for connection to a Voyage Data Recorder (VDR)
- 6 NMEA input/output for ease of interfacing
- Dual SD card slots allow automatic (timed) Radar screenshot archiving & configuration backup/restore
- Comfortable and intuitive to use
- Dual Radar combination possible (two River Radar systems on one screen)
- Network up to four Antennas and Processors
- Allows for storage of up to 24 hours of Radar images on SD memory card
- Docking mode available (requires two GPS sensors)
- Displays up to 300 AIS targets, 2 EBL's and 2 VRM's

*Optional

Easy To Use!

The Radar can be controlled with only a Furuno RCU030 Controller (optional supply), or a standard PC mouse or trackball - that's how simple it is to use!



Optional RCU030 Control Unit